

THE DRAWING ON THIS PRINT AND THE INFORMATION THEREIN ARE PROPRIETARY TO COASTAL OPTICAL SYSTEMS, INC. AND SHALL NOT BE USED IN WHOLE OR IN PART WITHOUT THE WRITTEN CONSENT OF COASTAL OPTICAL SYSTEMS, INC.

PRELIMINARY

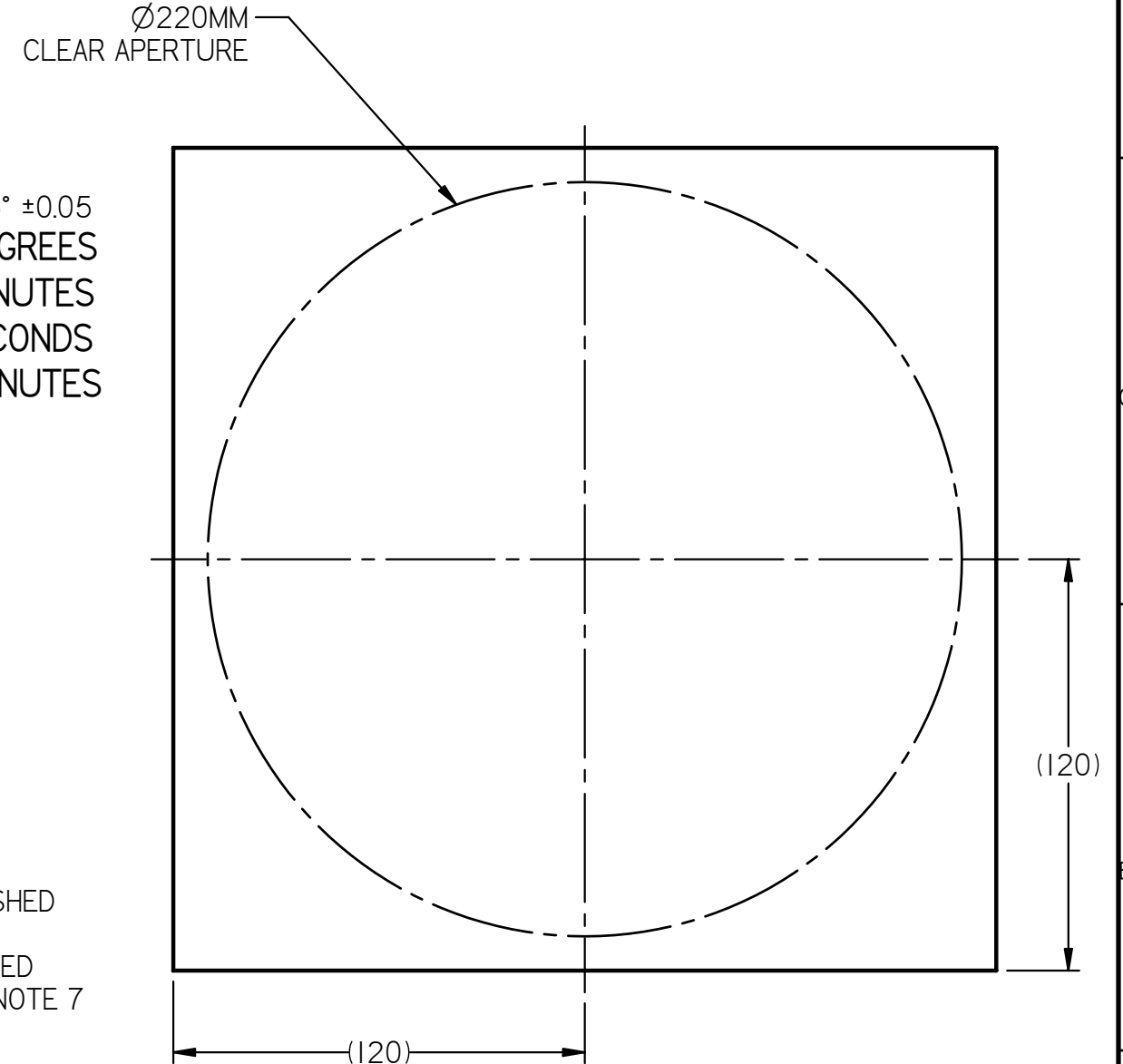
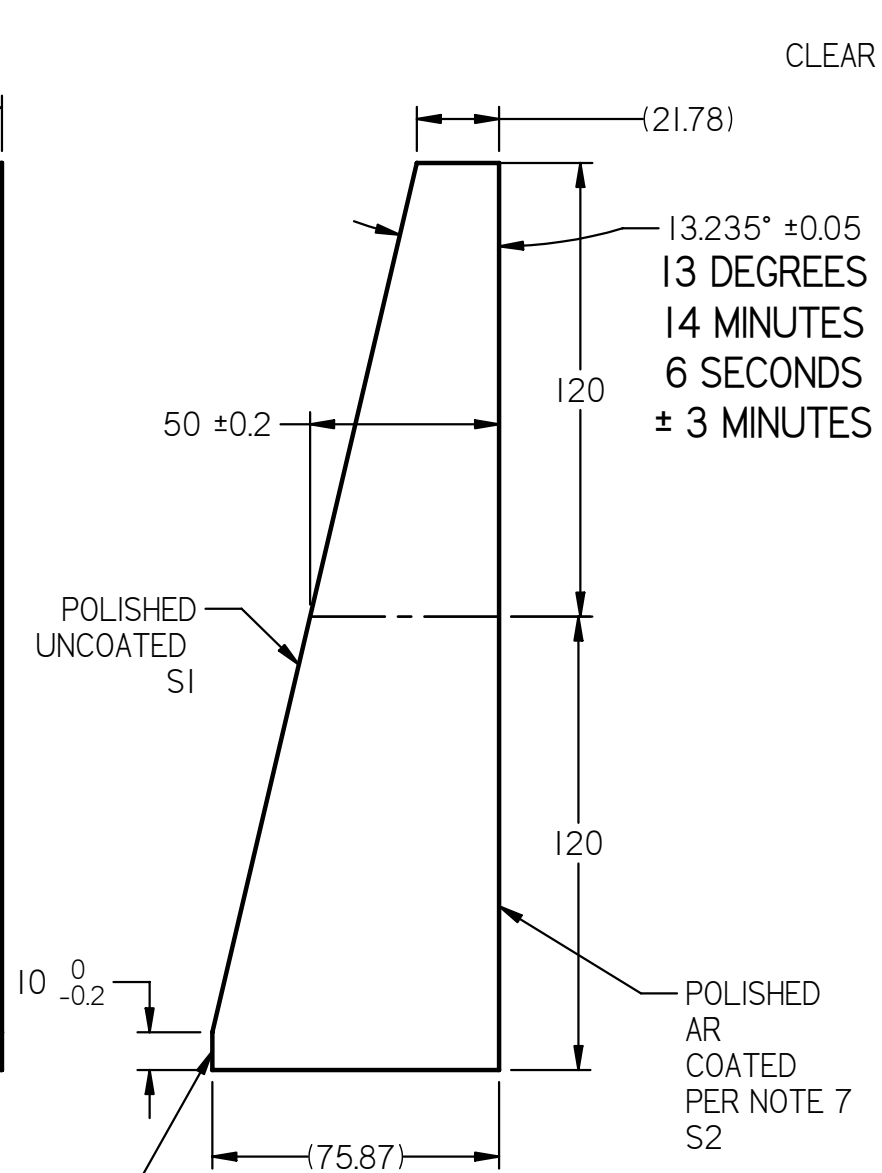
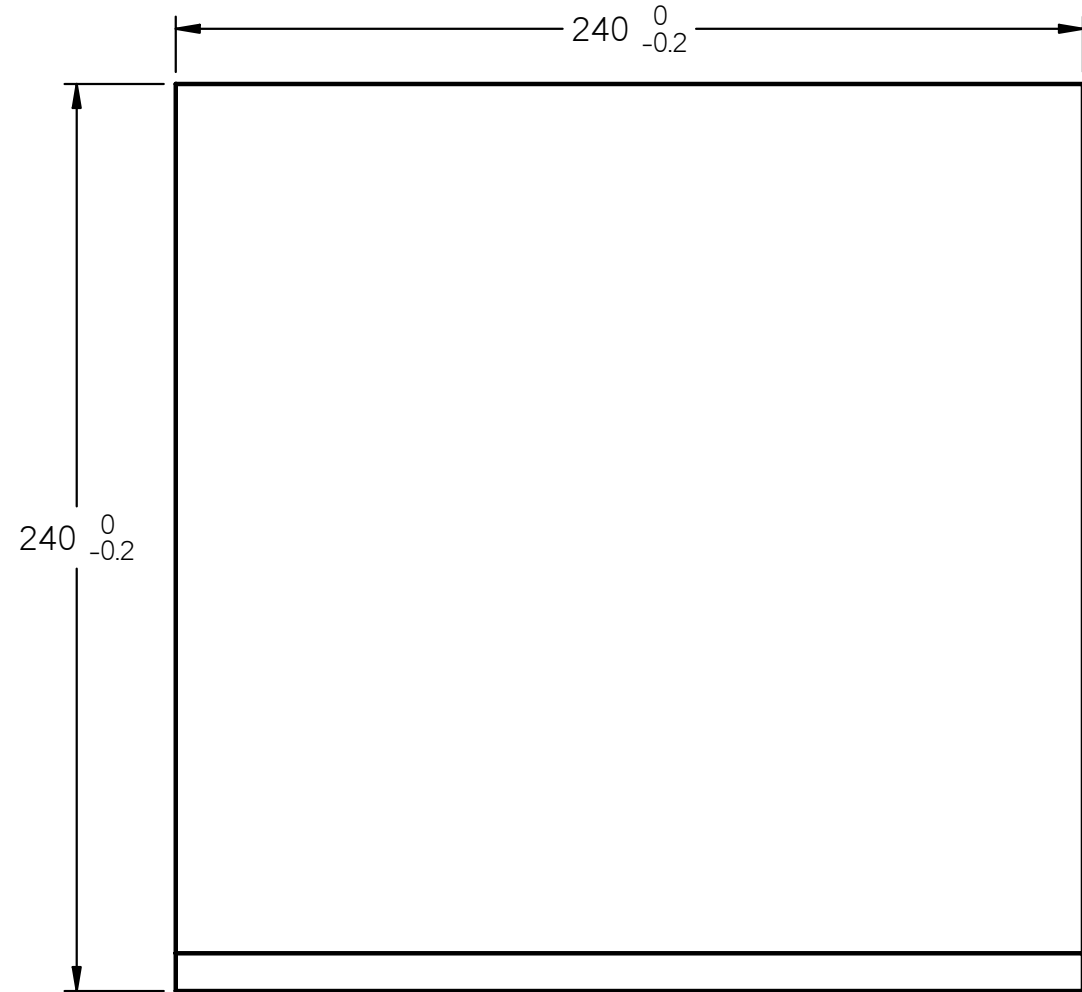
ASSEMBLY NO. USED ON:

-

REVISION HISTORY

ZONE & ECO NO	REV	DESCRIPTION	DATE	APPROVED
---------------	-----	-------------	------	----------

RADIUS	RAD TOL	IRR TOL	C.A. DIA
PLANO S1	1 WAVE	0.3 WAVES	220
PLANO S2	1 WAVE	0.3 WAVES	220
EDGE DIA	MATERIAL	THICKNESS	THICK TOL
240 X 240	FK5	50	± 0.2



NOTES:

1. ALL DIMENSIONS IN MILLIMETERS.
2. MATERIAL: SCHOTT FK5 (NH3 B2) (CUSTOMER FURNISHED)
3. IRREGULARITY REQUIREMENT IS IN WAVES AT 632.8 NM.
4. SURFACE MICROROUGHNESS: <20 ANGSTROMS RMS.
5. SURFACE QUALITY 40-20 IN CLEAR APERTURE.
6. 1 MM FACE WIDTH BEVEL AT 45°.
7. AR COAT ONE SIDE R >99% FROM 380- 690 NM.
8. TRANSMITTED WAVEFRONT: 1/2 WAVE PEAK TO VALLEY AT 632.8NM WITH UP TO 1 WAVE POWER SUBTRACTED.
9. DO NOT BLACKEN EDGES.
10. BLANK SIZE: 250.19 X 250.24 X 86.131.

MAT'L: SEE NOTE 2	NAME DRAWN	DATE 2-22-08
FINISH:  SEE NOTES	CHECKED	T.Victorio 2-22-08
	MGR APPR	J.Kumler 2-22-08
REMOVE ALL BURRS AND SHARP EDGES	<small>UNLESS OTHERWISE SPECIFIED DIMENSIONS ARE IN MILLIMETERS AND INCLUDE APPLIED FINISH TOLERANCES</small> <small>TOLERANCE ON ANGLES = ±0.25 DEG.</small> <small>LINEAR DIM X = ±0.5 HOLE DIA XX = ±0.2</small> <small>                  XX = ±0.2                  XXX = ±0.1</small> <small>                  XXX = ±0.1                  XXXX = ±0.05</small>	

TITLE <b>PRISM</b>	
SIZE B	DWG NO 08040001
SCALE: N/A	WEIGHT: N/A
SHEET 1 OF 1	