

Fiber Cover Interface

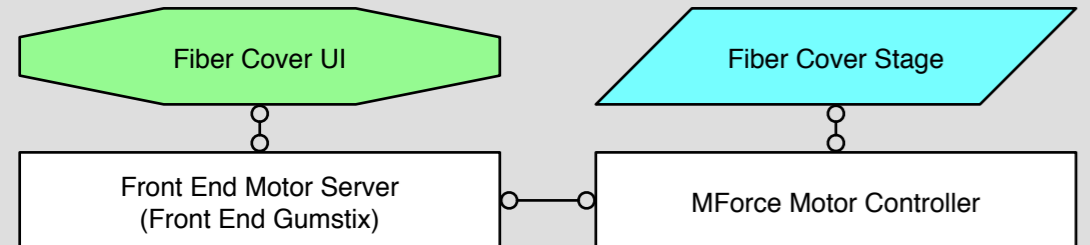
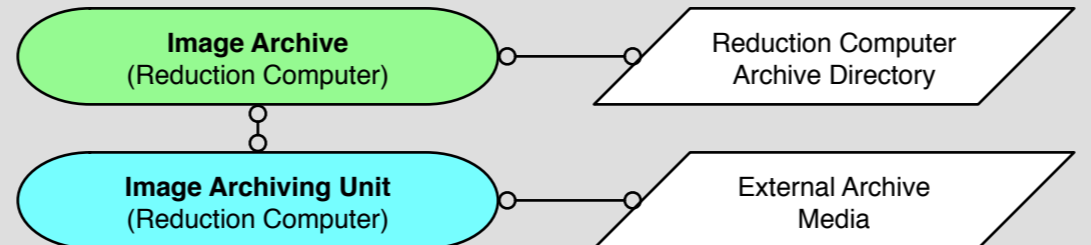
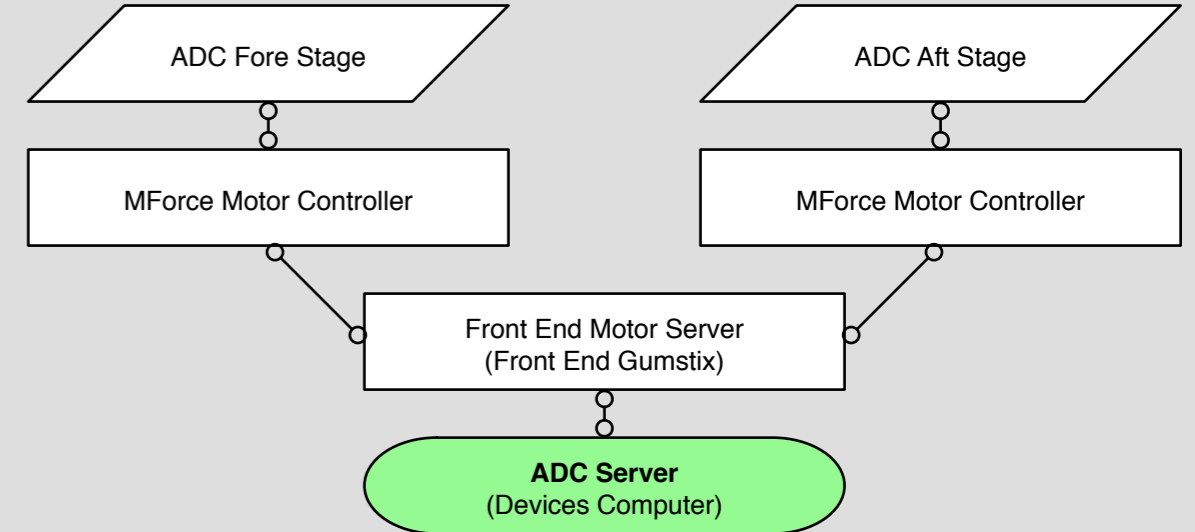


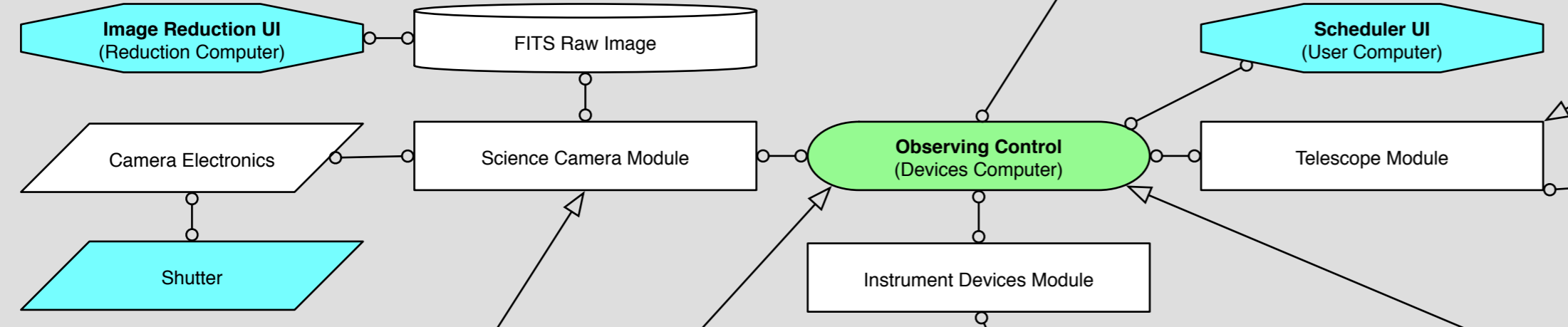
Image Archive



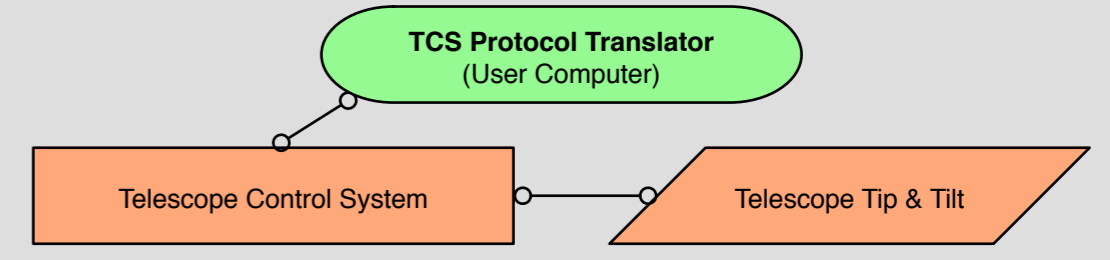
Atmospheric Dispersion Corrector Control



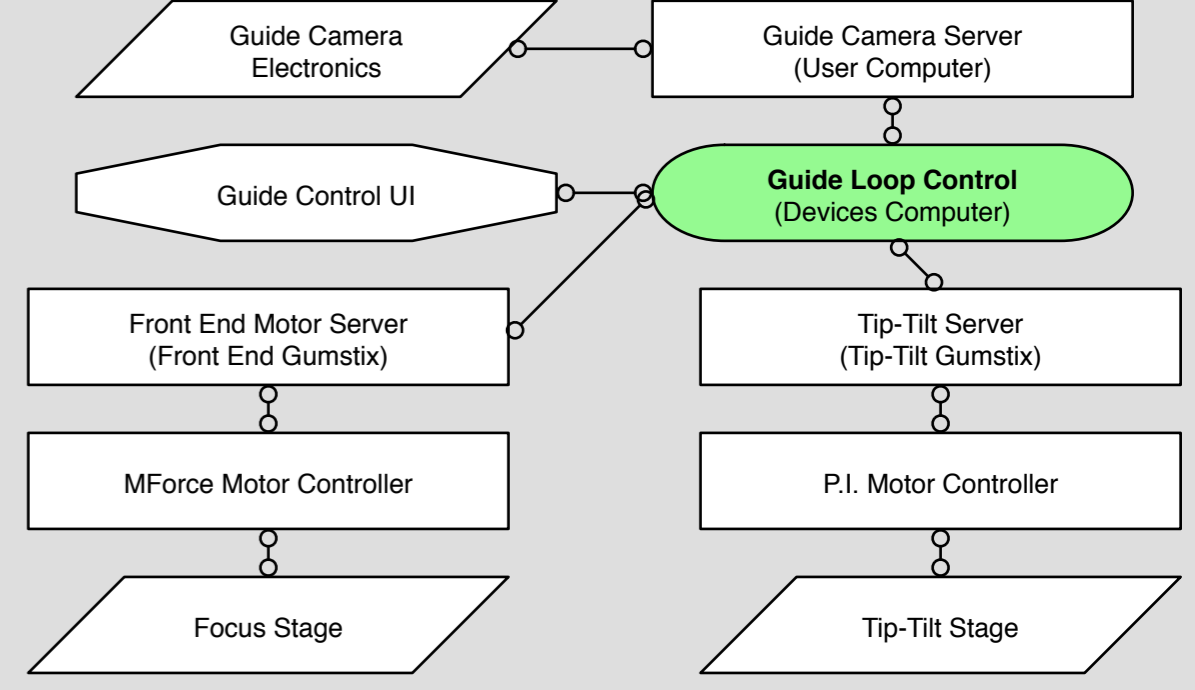
Observation Instrument Control



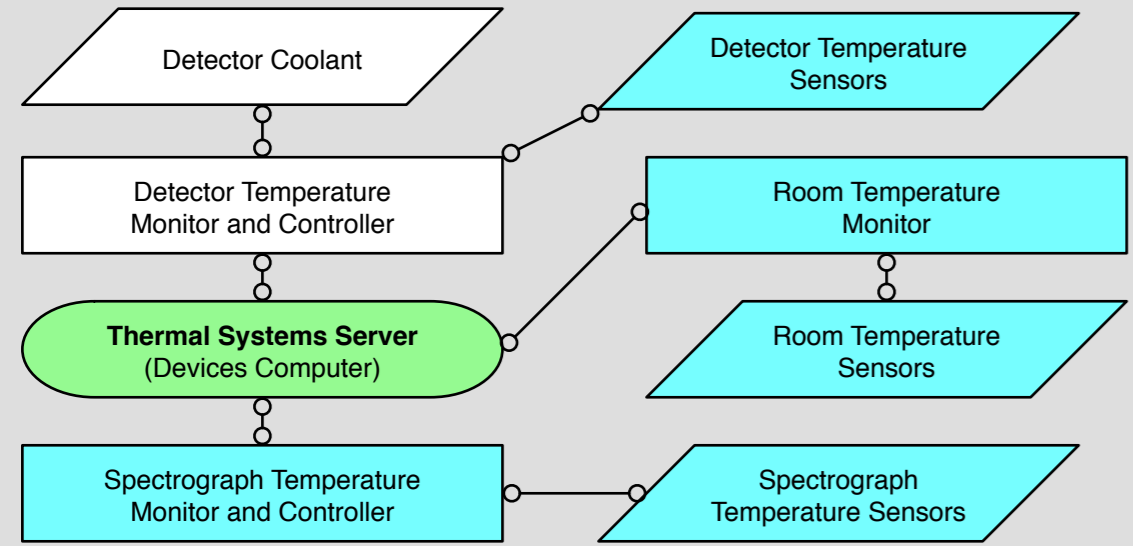
Telescope Control System



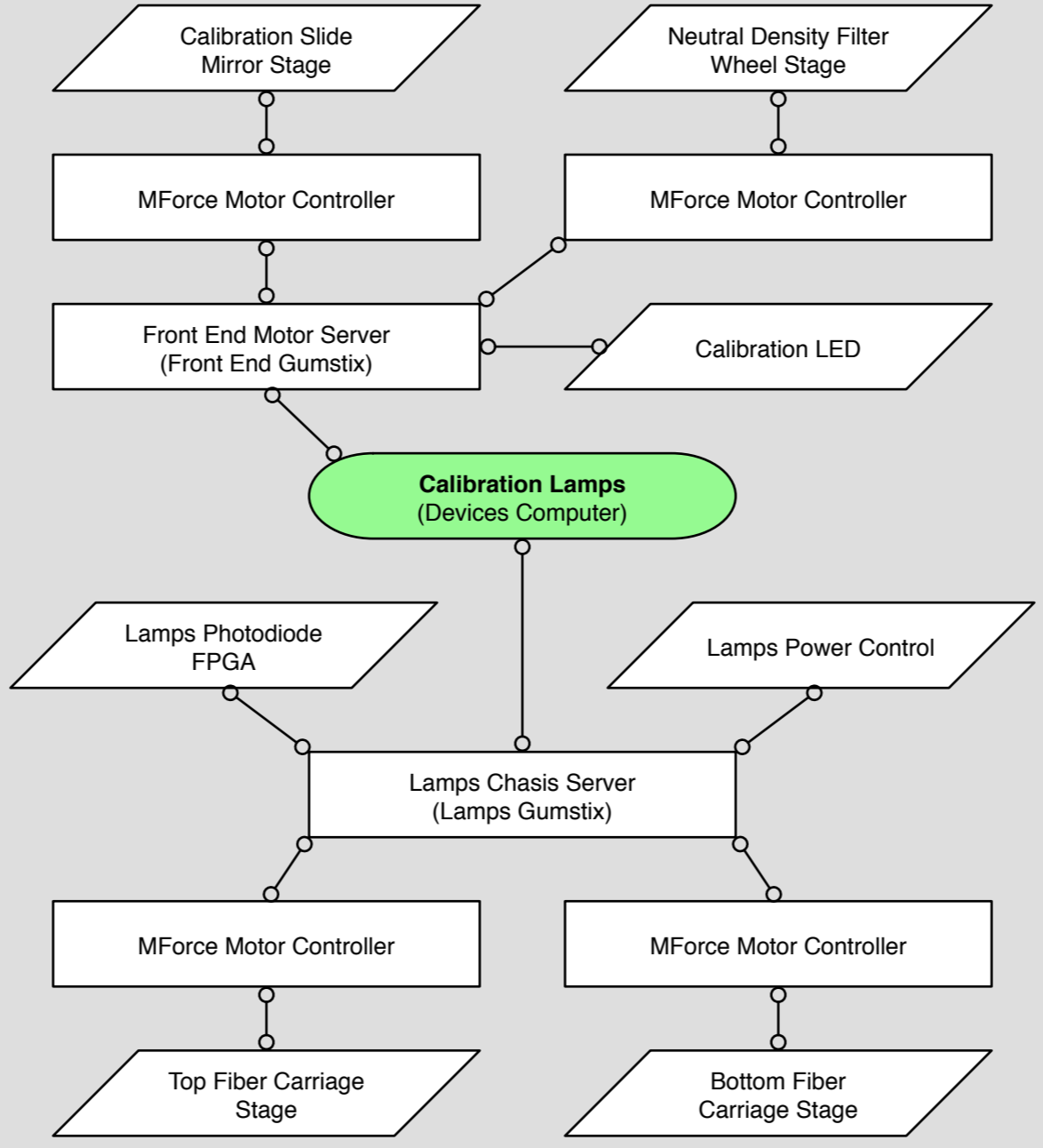
Guiding Loop



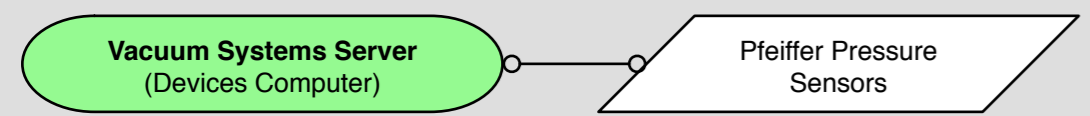
Thermal Systems Control



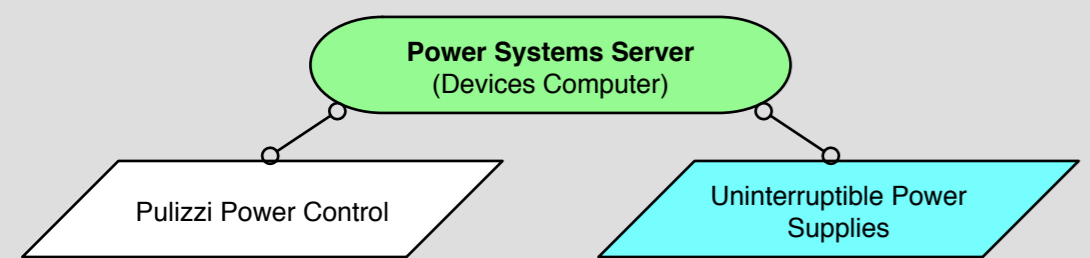
Calibration Lamps



Vacuum Systems Monitoring



Power Systems Control



LEGEND

(BLUE) - Geneva Observatory
 (GREEN/WHITE) - Harvard University
 (ORANGE) - W.H. Telescope

