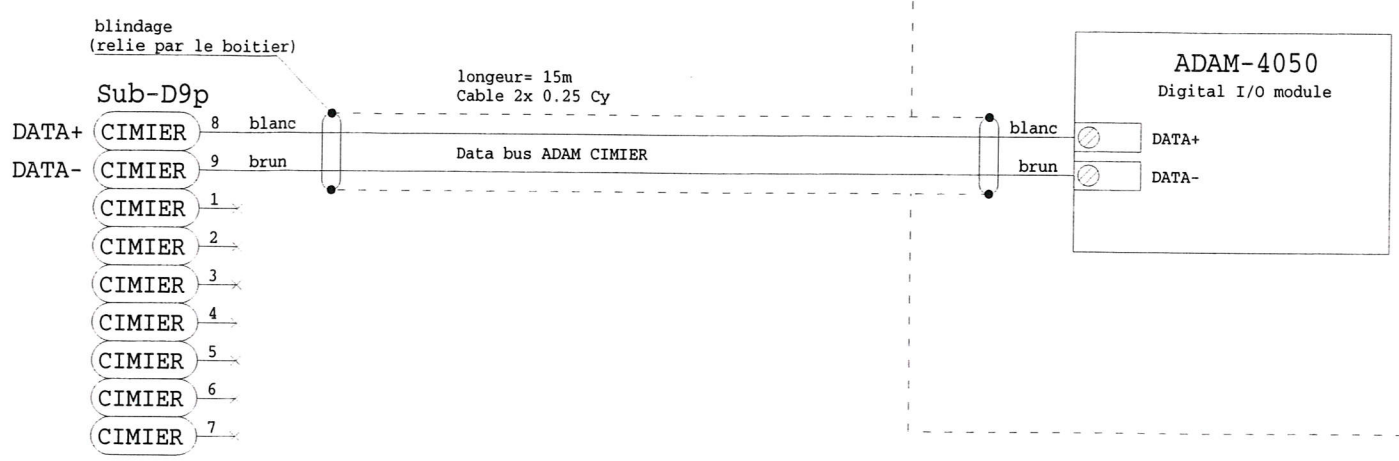
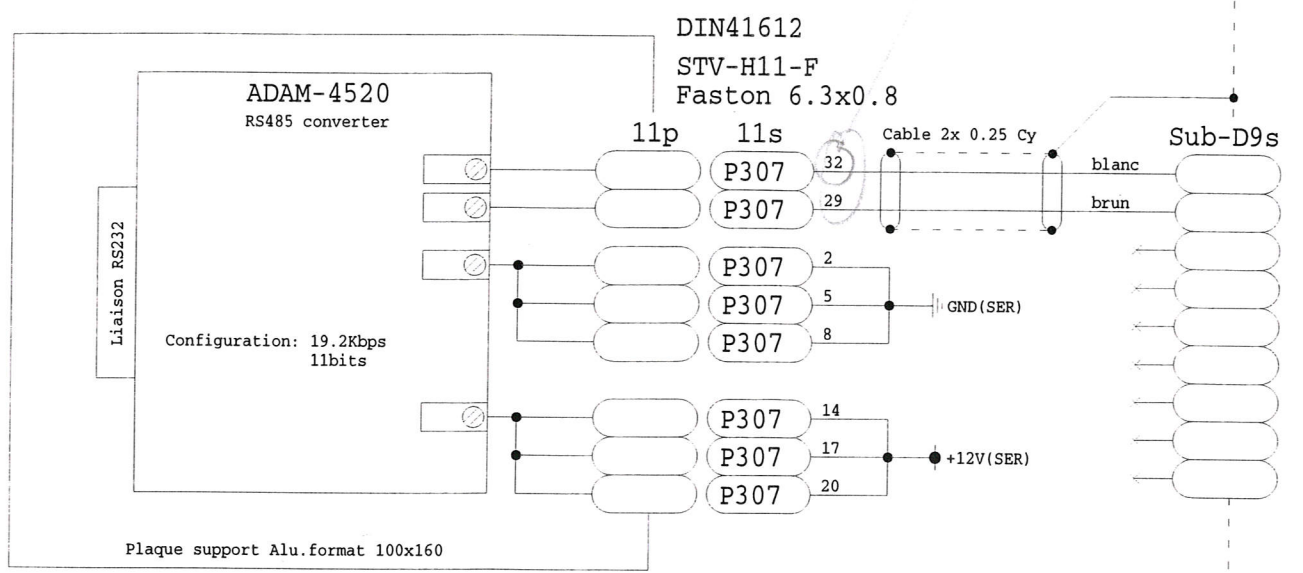


*26 brun  
33 blanc*

SER

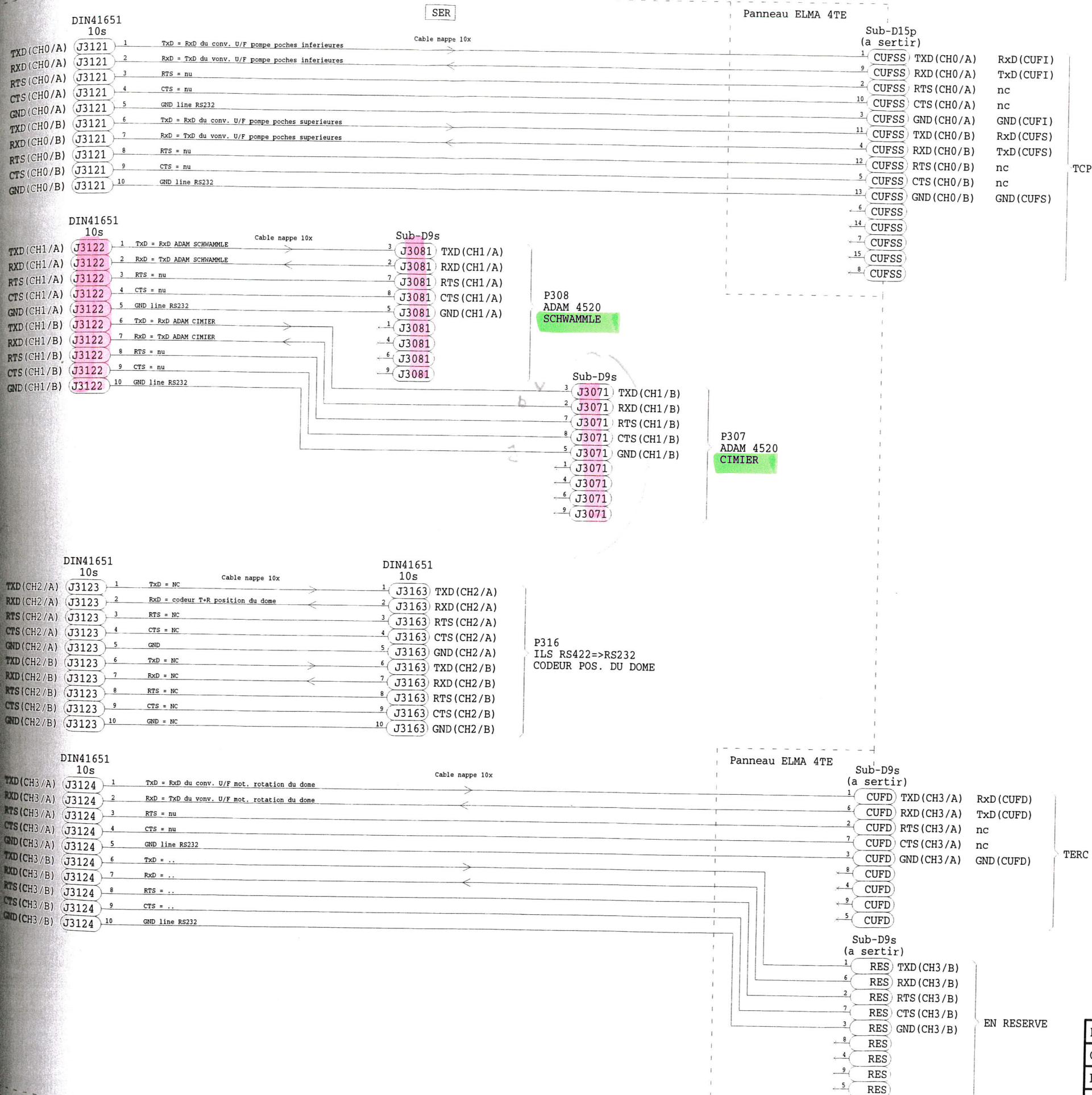
TERC

(caillebotis L201)  
(Tableau Electrique Rotation Coupole)



*Commande Adams ?  
sur 12V = 0*

R	Observations :	cblCIMIER.sch	Appareil No:	A3	
C	Modifications:		Sheet No:		
L	CABLE BUS ADAM		Ech.	Dessine	O.Genevay
D	COMMANDE CIMIER			Date	11.2.2000
Q	TIROIR SERVICE		Page	Etude	E.Ischi
.			./.	Revise	28.08.2000
.	OBSERVATOIRE DE GENEVE		T4-SER		
.	Tel.(022) 755 26 11 / Fax.(022) 755 39 83				



TCP

TERC

EN RESERVE

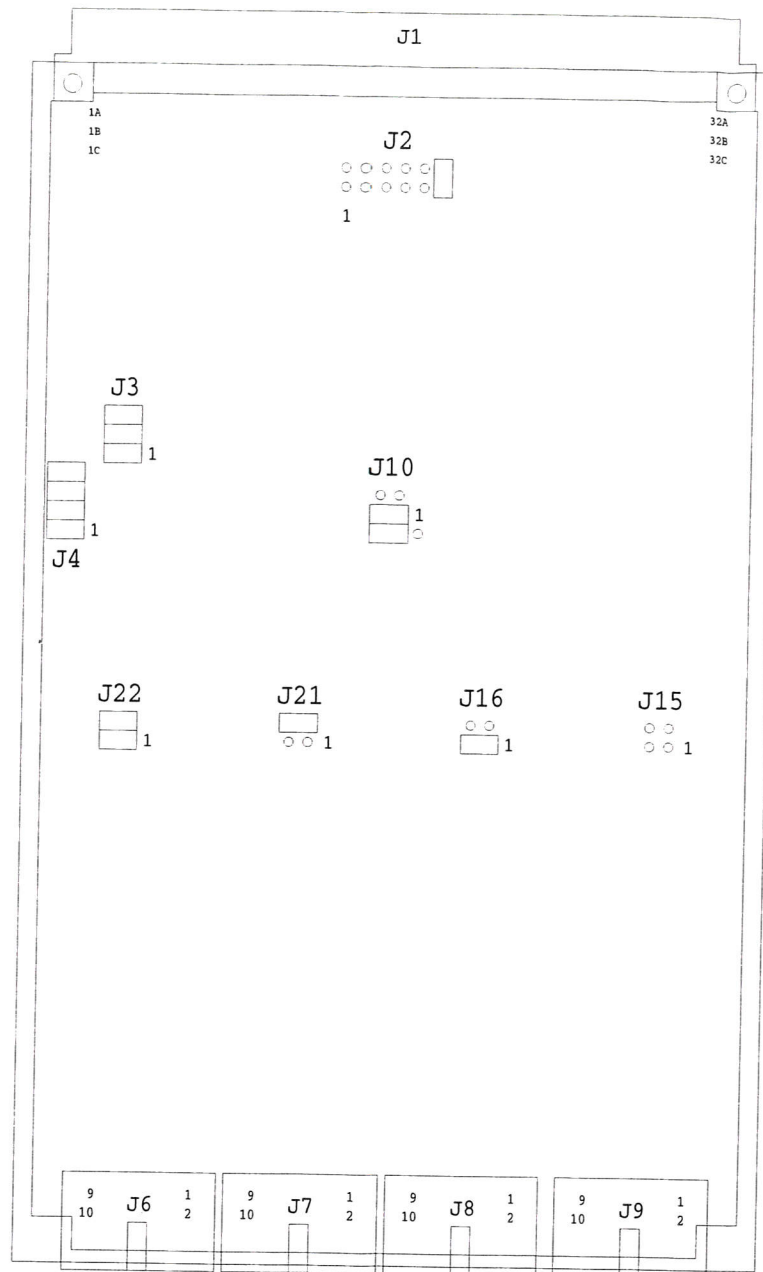
vert = 3  
 brun = 4  
 jaune = GND = 5  
 2/4 = 1000

ADAMS

ADAMSCH

ADAM CIM

R	Observations :	cblP312.sch	Appareil No:	A2
C	Modifications:		Sheet No:	
L	CABLAGE CARTE MPL4215 P312	Ech.	Dessine	O.Genevay
D		Date	3.11.1999	
Q	TIROIR SERVICE	Page	Etude	E.ISCHI
.		./.	Revise	.
.	OBSERVATOIRE DE GENEVE			T4-SER
.	Tel. (022) 755 26 11 / Fax. (022) 755 39 83			



J3124    J3123    **J3122**    J3121    => numerotation T4,T5

○ ○ jumper OFF  
 ◻ jumper ON

J9=J3121 (channel 0)

1	TxD/A	=> TxD(CUFI)	Liaison RS232 convertisseur tension/frequence pompe hydraulique Poches Inferieures
2	RxD/A	<= RxD(CUFI)	
3	RTS/A	NC	
4	CTS/A	NC	
5	GND/A	GND(CUFI)	
6	TxD/B	=> TxD(CUFS)	Liaison RS232 convertisseur tension/frequence pompe hydraulique Poches Superieures
7	RxD/B	<= RxD(CUFS)	
8	RTS/B	NC	
9	CTS/B	NC	
10	GND/B	GND(CUFS)	

J7=J3123 (channel 2)

1	TxD/A	NC	Liaison RS232 codeur dome T+R via ILS RS422=>RS232
2	RxD/A	<= RxD	
3	RTS/A	NC	
4	CTS/A	NC	
5	GND/A	GND	
6	TxD/B	NC	
7	RxD/B		
8	RTS/B		
9	CTS/B		
10	GND/B		

J8=J3122 (channel 1)

1	TxD/A	=> TxD	Liaison RS232 ADAM 4520 cmde Schwammler
2	RxD/A	<= RxD	
3	RTS/A	NU	
4	CTS/A	NU	
5	GND/A	GND	
6	TxD/B	=> TxD	Liaison RS232 ADAM 4520 cmde cimier
7	RxD/B	<= RxD	
8	RTS/B	NU	
9	CTS/B	NU	
10	GND/B	GND	

J6=J3124 (channel 3)

1	TxD/A	=> TxD(CUFD)	Liaison RS232 convertisseur tension/frequence moteurs du DOME
2	RxD/A	<= RxD(CUFD)	
3	RTS/A	NC	
4	CTS/A	NC	
5	GND/A	GND(CUFD)	
6	TxD/B	=> TxD	Liaison RS232 cablee en reserve
7	RxD/B	<= RxD	
8	RTS/B	NC	
9	CTS/B	NC	
10	GND/B	GND	

ADAMS

ADAMSCH

ADAMCIMI

JUMPERS IDENTIFICATION

J2	G96 interrupt level select	NMI
J3	vectored interrupt level	level0
J4	G96 VPA range select (word 16)	H'0000
J10	access/interrupt mode select	asynchronus vectored
J15	2 bit config.field (read with U12)	00
J16	2 bit config.field (read with U14)	01
J21	2 bit config.field (read with U22)	10
J22	2 bit config.field (read with U24)	11

Page No: 1/1		A3
Observations :	Appareil No: .	
Modifications:	Fichier : p312.pcb	
CONFIGURATION MPL4215-1 P312. TIROIR SERVICE	Unite [mm]	Dessine 0.Genevay Date 1.04.1998
OBSERVATOIRE DE GENEVE Ch.des Maillettes 51 CH-1290 SAUVERNY	Ech. 1/1	Etude Russignello Revise .
FAX. (022)755 39 83 TEL. (022)755 26 11	T4-SER	