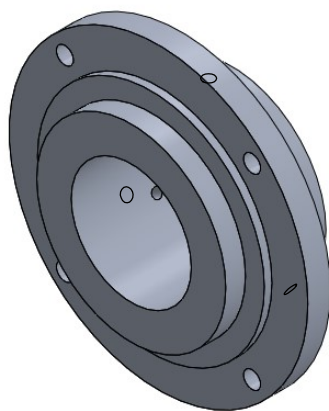


COUPE A-A



TITLE: Support align. laser				General dimensional tolerances: ISO 2768-1 (m) General geometrical tolerances: ISO 2768-2 (k)			
PROJECT: T4		NAME	DATE	MATERIAL: Aluminium		QUANTITY: 1	
ASSEMBLY: Outils alignement		CHECKED		TREATMENTS:		MASSE: kg	
		MODIFIED		DRAWING NR.: T4-TU-M3-001		SCALE: 1:1	SHEET: 1 / 1
UNIVERSITÉ DE GENÈVE FACULTÉ DES SCIENCES		OBSERVATOIRE DE GENEVE 51, Chemin des Maillettes CH-1290 Sauverny Phone : +41 (0)22 379 22 00 Fax : +41 (0)22 379 22 05			REVISION:		SIZE: A3
FILE: Z:\1_Projets\T4 UPGRADE\DEVIAEUR M3\5_Dessins\Solidworks\Gabarit\T4-TU-M3-001_Support_Alignement_Laser							