

ALCO TI series of Thermo®-Expansion Valves with interchangeable orifices are designed for refrigeration applications such as display cases in supermarkets, walk-in/reach-in coolers, freezers, soft ice cream/ice maker machines, milk tank coolers, transport refrigeration as well as for air conditioning and heat pump systems. TI provides flexibility in selection of capacity and is ideal for those applications requiring compact size with stable and accurate control over wide load and evaporating range.

Features

- Eight interchangeable orifice assemblies provide a capacity range from 0.4 to 14,2 kW based on R404A
- 45 bar maximum working pressure allows the use of high pressure refrigerants
- Three styles of connections:
 - TILE: Stainless steel brazed fittings eliminate the need of wet rags during brazing
 - TIS(E): Copper brazed fittings (valve requires wet rag during brazing)
 - TI(E): Flare
- Cleanable / exchangeable inlet strainer in orifice assembly
- Constant superheat across a wide application range
- Large diaphragm eliminates disturbances to the valve and provides smoother and consistent valve control
- Laser welded stainless steel power element
- Internal or external equaliser
- Inlet brazing adapter
- Adjustable static superheat



TISE



TIE



TILE

Introduction

Thermo®-Expansion Valves control the superheat of refrigerant vapour at the outlet of the evaporator. They act as a throttle device between the high and low pressure sides of refrigeration system and ensures the rate of refrigerant flow into the evaporator exactly matches the rate of evaporation of liquid refrigerant. Thus the evaporator is fully utilised and no liquid refrigerant may reach the compressor.

When the actual superheat is higher than the set point, Thermo®-Expansion Valve feeds the evaporator with more liquid refrigerant. Likewise, the valve decreases the refrigerant flow to the evaporator when the actual superheat is lower than the set point.

Nomenclature and Identification

Valve series

TI S E - M W

Connection type

- L:** Brazing, Stainless steel ODF fittings (outlet / equaliser)
- S:** Brazing, Copper ODF fittings (outlet / equaliser)
- :** Flare

Equaliser

- E:** External, **:** Internal

Refrigerant

- M:** R134a, **S:** R404A/R507, **N:** R407C, **Z:** R410A, **H:** R22

Charge

- W:** Liquid without MOP feature
- Wxxx:** Gas with MOP feature
- ADxxx:** Adsorption with similar MOP feature

Selection table: Valve bodies without orifice and nuts in single packaging

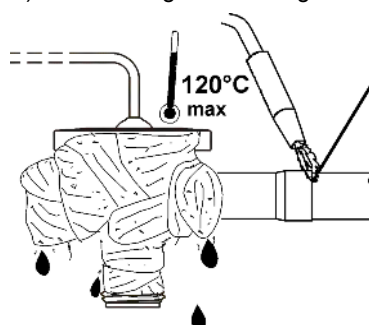
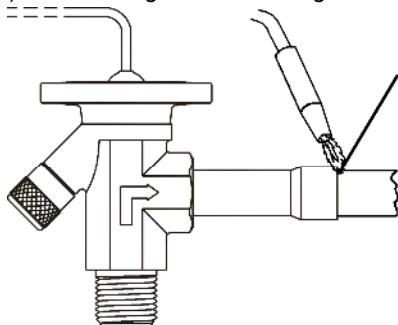
Add letter M to end of PCN for OEM packing of 20 valves in one carton (example: 20 x 802465M)

Refrigerant	Outlet/Equalizer Connection Type	External Equalizer		Internal Equalizer		Charge	MOP function
		Type	Part No.	Type	Part No.		
R 404A / R 507	Brazing stainless steel fittings *	TILE-SW (12mm)	802465	-		Liquid	No
		TILE-SW (1/2")	802466	-		Liquid	No
	Brazing copper fittings **	TISE-SW (12mm)	802462	TIS-SW (12mm)	802461	Liquid	No
		TISE-SW (1/2")	802464	TIS-SW (1/2")	802463	Liquid	No
		TISE-SAD10 (1/2")	802479	TIS-SAD10 (1/2")	802478	Adsorption	Yes***
		TISE-SW75 (12mm)	802471			Vapour	Yes
		TISE-SW75 (1/2")	802472			Vapour	Yes
		TISE-SAD-20 (12mm)	802474			Adsorption	Yes***
	Flare fittings	TISE-SAD-20 (1/2")	802475			Adsorption	Yes***
		TIE-SW	802460	TI-SW	802459	Liquid	No
		TIE-SAD10	802477	TI-SAD10	802476	Adsorption	Yes***
		TIE-SW75	802470	TI-SW75	802469	Vapour	Yes
		TIE-SAD-20	802473			Adsorption	Yes***
	R 134a	Brazing stainless steel fittings *	TILE-MW (12mm)	802451			Liquid
TILE-MW (1/2")			802452			Liquid	No
Brazing copper fittings **		TISE-MW (12 mm)	802448	TIS-MW (12 mm)	802447	Liquid	No
		TISE-MW (1/2")	802450	TIS-MW (1/2")	802449	Liquid	No
		TISE-MW55 (12mm)	802457			Vapour	Yes
		TISE-MW55 (1/2")	802458			Vapour	Yes
Flare fittings		TIE-MW	802446	TI-MW	802445	Liquid	No
		TIE-MW55	802456	TI-MW55	802455	Vapour	Yes
R 407C	Brazing stainless steel fittings *	TILE-NW (12mm)	802486			Liquid	No
		TILE-NW (1/2")	802485			Liquid	No
	Brazing copper fittings **	TISE-NW (12mm)	802438	TIS-NW (12mm)	802437	Liquid	No
		TISE-NW (1/2")	802440	TIS-NW (1/2")	802439	Liquid	No
	Flare fittings	TIE-NW	802436	TI-NW	802435	Liquid	No
R 22	Brazing stainless steel fittings *	TILE-HW (12mm)	802426			Liquid	No
		TILE-HW (1/2")	802427			Liquid	No
	Brazing copper fittings **	TISE-HW (12mm)	802423	TIS-HW (12mm)	802422	Liquid	No
		TISE-HW (1/2")	802425	TIS-HW (1/2")	802424	Liquid	No
		TISE-HW100 (12mm)	802431			Vapour	Yes
		TISE-HW100 (1/2")	802432			Vapour	Yes
	Flare fittings	TIE-HW	802421	TI-HW	802420	Liquid	No
		TIE-HAD10	802430			Adsorption	Yes***

*) TILE Brazing without wet rag

**) TISE Brazing with wet rag

***) See information on page 19



Selection table: Valve bodies without orifice and nuts in single packaging (available in second quarter 2009)

Add letter M to end of PCN for OEM packing of 20 valves in one carton (example: 20 x 802488M)

Refrigerant	Outlet/Equalizer Connection Type	Equalizer				Charge	MOP function
		External		Internal			
		Type	Part No.	Type	Part No.		
R 410A	Brazing stainless steel fittings *	TILE-ZW (12mm)	802488	-	-	Liquid	No
		TILE-ZW (1/2")	802489	-	-	Liquid	No
		TILE-ZW175 (12mm)	802490	-	-	Vapour	Yes
		TILE-ZW175 (1/2")	802491	-	-	Vapour	Yes

*) Brazing without wet rag

Connections

Body	Inlet connection		Outlet	External equaliser *
	Brazing with adapter	Flare		
TI(E) Flare connections	-	5/8"-18UNF Flare suitable for 6mm, 8mm, 10mm, 1/4", 5/16", 3/8" tubes	3/4"-16UNF Flare: for 12mm, 1/2" tubes	7/16"-20UNF Flare: for 6mm, 1/4" tubes
TIS(E) / TILE Braze connections	TIA-M06 (6mm ODF) TIA-M10 (10mm ODF)		12 mm ODF	6mm ODF
	TIA-014 (1/4" ODF) TIA-038 (3/8" ODF)		1/2" ODF	1/4" ODF

*) TI and TIS with internal equaliser

Charges and standard superheat setting

Refrigerant	Charge code	Charge type	MOP		Evaporating temperature range	Nominal static superheat (SS)		Opening superheat (OS*)
			bar, gauge	°C		Factory setting	Evaporating temperature range	
R 404A/ R 507	SW	Liquid	-	-	-45 to +20	4K	-45 to +20°C	3K
	SW75	Vapour	5.2	0	-45 to -3		-45 to -3°C	
	SAD10	Adsorption	-	+10	-45 to 0		-45 to 0°C	
	SAD-20	Adsorption	-	-20	-45 to -27		-45 to -27°C	
R 134a	MW	Liquid	-	-	-45 to +20		-45 to +20°C	
	MW55	Vapour	3.8	+14	-45 to +11		-45 to +11°C	
R 407C	NW	Liquid	-	-	-45 to +20		-45 to +20°C	
R 22	HW	Liquid	-	-	-45 to +20		-45 to +20°C	
	HW100	Vapour	6.9	+15	-45 to +13		-45 to +13°C	
	HAD10	Adsorption	-	+10	-45 to 0		-45 to +0°C	
R 410A	ZW	Liquid	-	-	-35 to +20	-35 to +20°C		
	ZW175	Vapour	12	+16.4	-35 to +15	-35 to +15°C		

*) The given opening superheat valid when the valve has been open to rated stroke in order to provide nominal capacity at rated conditions with factory setting.

TI with standard charge for R 413A, R 422A, R 422D refrigerants

TXVs are normally designed with proper charges for a certain refrigerant. By introduction of several HFC refrigerants for new systems and several interim refrigerants for retrofit, the question has been raised when and how can a TXV be used with a standard charge for different refrigerants.

There is the possibility to use a valve within a certain group of different refrigerants if the following criteria is taken into the account:

- Static superheat shifting and therefore readjustment of TXV
- Opening superheat changes after readjustment of TXV
- Slight shifting of MOP value (if available)

The magnitude of shifting/changes is dependant on the saturation pressure of a designed charge vs. alternative refrigerant at certain evaporating temperature.

Please see installation instruction for setting.

Selection table: Orifice assembly (with strainer)

Orifice type PCN		Nominal capacity (kW)							
		TIO-00X	TIO-000	TIO-001	TIO-002	TIO-003	TIO-004	TIO-005	TIO-006
Refrigerant	R 134a	0,3	0,8	1,9	3,1	5,0	8,3	10,1	11,7
	R 22	0,5	1,3	3,2	5,3	8,5	13,9	16,9	19,5
	R 404A	0,4	1,0	2,3	3,9	6,2	10,1	12,3	14,2
	R 407C	0,5	1,4	3,5	5,7	9,2	15,0	18,3	21,1
	R 507	0,4	1,0	2,3	3,9	6,2	10,1	12,3	14,2
	R 410A	0,6	1,5	3,7	6,2	9,9	16,2	19,7	22,8
	R 422A	0,3	0,8	2,0	3,3	5,3	8,7	10,6	12,2
	R 422D	0,3	0,9	2,2	3,7	5,9	9,6	11,7	13,5
	R 413A	0,3	0,8	1,9	3,1	5,0	8,3	10,1	11,7

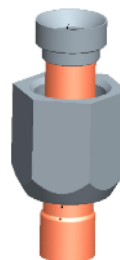
The nominal capacity (Qn) is based on the following conditions:

Refrigerant	Evaporating temperature	Condensing temperature	Subcooling
R 22, R 134a, R 404A, R 410A, R 507	+4°C	+38°C	1K
R 407C, R 413A, R 422A, R 422D	+4°C dew point	+38°C bubble / +43°C dew point	

Orifice assembly selection for other operating conditions see page 6 to 17 for quick selection or use available selection tools.

Accessories

	Type	Part No.	Connection size
Brazing adapter	TIA-M06	802500	6 mm
	TIA-M10	802501	10 mm
	TIA-014	802502	1/4"
	TIA-038	802503	3/8"



From selection tables, the correct valve and orifice is:

Part	Type	Part No.
Valve	TISE-MW	802450 (from page 2)
Orifice assembly	TIO-004	800 537 (from page 6)
Brazing adapter	TIA-038	802503

Dimensioning of Thermo®-Expansion Valves

There are three ways to select TI valves:

1. Selection by using selection programs

Download the selection tools from www.emersonclimate.eu and use selection program:

2. Quick selection

Quick selection methods provides easy selection of TXV where the pressure drops through liquid line plus liquid distributor is equal or less than **1.5 bar**.

For this method, find the cross section of design evaporating and liquid temperature on tables depending to system refrigerant (pages 6 to 14). Select the orifice with capacity corresponding to the system cooling capacity.

Example 1

A valve has to be selected for the following conditions:

- Refrigerant R134a
 - System cooling capacity 6.0 kW
 - Evaporating temperature -10°C
 - Lowest liquid temperature +25°C
 - MOP -
 - Brazing connection (3/8" by 1/2") with external equaliser 1/4"
- From table on page 6 the suitable orifice is TIO-004.

3. Dimensioning by using correction factors

To apply proper Thermo®-Expansion Valves on a system, the following design conditions must be available:

- Cooling capacity
- Effective pressure differential across TXV (Δp)
- Evaporating temperature / pressure
- Lowest possible condensing temperature / pressure
- Liquid temperature at the inlet of TXV
- Refrigerant
- Connection type

To calculate the nominal capacity, the following formula has to be used:

$$\text{Cooling capacity} \times K_{\Delta p} \times K_t = \text{Nominal capacity of TXV}$$

- Select K_t -factor according to refrigerant, liquid and evaporating temperature from tables on pages 15-17.
- Determine effective pressure differential across the Thermo®-Expansion Valve using condensing pressure, subtract evaporating pressure and all other possible pressure losses. Select $K_{\Delta p}$ -factor from tables on pages 15-17.

Example 2

A valve has to be selected for the following conditions:

- Refrigerant R 134a
- System cooling capacity 6.0 kW
- Evaporating temperature -10°C
- Lowest condensing temperature +25°C
- Liquid temperature +20°C
- Pressure drop in liquid line 1.5 bar

Calculation:

1. Theoretical pressure differential:
 Condensing pressure is $P_c = 5.65 \text{ bar}$ at +25°C
 Evaporating pressure is $P_o = 1.01 \text{ bar}$ at -10°C
 Differential pressure is $P_c - P_o = 5.65 - 1.01 = 4.64 \text{ bar}$
2. Effective pressure differential across valve:
 $4.64 - 1.5 = 3.14 \text{ bar}$
3. Correction factors:
 Correction factor $K_{\Delta p}$ for the pressure differential 3.14 bar from table on page 15 for R 134a
 $\Delta p = 3.14 \quad K_{\Delta p} = 1.4$
 Correction factor K_t for liquid and evaporating temperature from table on page 15 for R 134a at +20°C / -10°C
 $K_t = 0.88$
4. Calculation of nominal capacity $Q_0 \times K_{\Delta p} \times K_t = Q_n$
 $6.0 \times 1.4 \times 0.88 = 7.39 \text{ kW}$

You can select the orifice assembly from table on page 4 and valve from table on page 2.

Subcooling

Subcooling generally increases the capacity of a refrigeration system and may be accounted for when dimensioning an expansion valve by applying the correction factor K_t . The capacity corrections for evaporating temperature, condensing temperature and subcooling are all incorporated in K_t . These are in particular the liquid density upstream from the expansion valve, the different enthalpies of liquid and vapour phase refrigerants as well as certain part of flash gas after expansion. The percentage of flash gas differs with various refrigerants and depends on system conditions.

Heavy subcooling results in very small flash gas amounts and therefore **increases expansion valve capacities**. These conditions are not covered by K_t . Likewise, small flash gas amounts lead to reduced evaporator capacities and may result in substantial discrepancies between the capacities of the Thermo®-Expansion Valve and the evaporator. These effects must be considered during component selection when designing refrigeration circuits. In cases when subcooling exceeds 15 K, sizing of TXV should be modified accordingly. The field practice indicates the following correction factors can be used to compensate the effect of the subcooling (liquid hammering) in addition to the use of correction factors K_t and $K_{\Delta p}$.

Subcooling	20K	30K	40K	50K	60K
Correction factor	0,8	0,7	0,6	0,5	0,4

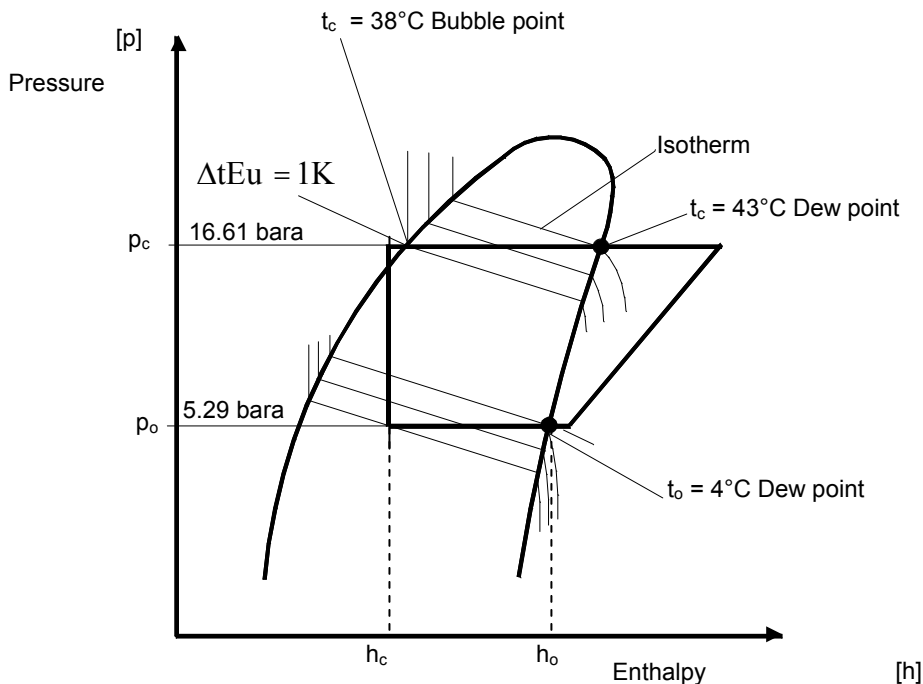
ALCO CONTROLS will be happy to assist you. Please contact application engineering department

Dimensioning of Thermo®-Expansion Valves for systems with refrigerant having glide

As opposed to single substances (e.g. R 22, R 134a etc.) where the phase change takes place at a constant temperature / pressure, the evaporation and condensation of zeotropic blends are in a "gliding" form (e.g. at a constant pressure the

temperature varies within a certain range) through evaporators and condensers.

The evaporating / condensing pressure must be determined at saturated temperatures (bubble / dew points) for dimensioning of Thermo®-Expansion Valve.



Quick selection table R 134a

Condensing temperature °C	R 134a Capacity kW Valve Type TI..-M....											Orifice	
	Evaporating temperature °C												
	+30	+20	+10	+5	0	-5	-10	-15	-20	-25	-30		
50	0,23	0,27	0,29	0,29	0,30	0,30	0,30	0,26	0,22	0,19	0,16	TIO-00X	
	0,60	0,71	0,76	0,78	0,79	0,79	0,79	0,68	0,59	0,50	0,43	TIO-000	
	1,42	1,68	1,81	1,85	1,87	1,88	1,87	1,63	1,39	1,20	1,01	TIO-001	
	2,32	2,74	2,96	3,02	3,05	3,07	3,06	2,65	2,27	1,95	1,66	TIO-002	
	3,74	4,42	4,77	4,89	4,92	4,94	4,93	4,28	3,66	3,15	2,67	TIO-003	
	6,21	7,34	7,93	8,08	8,17	8,21	8,19	7,10	6,08	5,23	4,43	TIO-004	
	7,56	8,93	9,64	9,84	9,95	9,99	9,97	8,64	7,40	6,36	5,39	TIO-005	
8,76	10,34	11,17	11,40	11,52	11,57	11,55	10,01	8,57	7,37	6,25	TIO-006		
40	0,12	0,21	0,25	0,26	0,27	0,28	0,28	0,25	0,21	0,18	0,16	TIO-00X	
	0,33	0,56	0,67	0,70	0,73	0,74	0,75	0,66	0,57	0,49	0,42	TIO-000	
	0,79	1,34	1,60	1,67	1,73	1,76	1,78	1,56	1,35	1,17	1,00	TIO-001	
	1,29	2,18	2,60	2,73	2,82	2,88	2,91	2,55	2,20	1,91	1,63	TIO-002	
	2,08	3,52	4,20	4,40	4,55	4,64	4,69	4,11	3,56	3,08	2,63	TIO-003	
	3,45	5,84	6,97	7,31	7,55	7,70	7,79	6,83	5,90	5,12	4,37	TIO-004	
	4,19	7,10	8,48	8,90	9,19	9,38	9,48	8,31	7,18	6,23	5,32	TIO-005	
4,86	8,23	9,83	10,31	10,64	10,86	10,98	9,63	8,32	7,22	6,16	TIO-006		
35		0,17	0,23	0,24	0,26	0,26	0,27	0,24	0,21	0,18	0,15	TIO-00X	
		0,44	0,60	0,65	0,68	0,70	0,72	0,63	0,55	0,48	0,41	TIO-000	
		1,06	1,63	1,84	1,94	2,00	2,04	1,70	1,50	1,31	1,14	0,98	TIO-001
		1,72	2,33	2,50	2,63	2,72	2,78	2,45	2,13	1,86	1,59	TIO-002	
		2,78	3,75	4,04	4,24	4,39	4,48	3,95	3,44	3,00	2,57	TIO-003	
		4,62	6,23	6,71	7,05	7,28	7,43	6,56	5,71	4,97	4,27	TIO-004	
		5,62	7,58	8,16	8,57	8,86	9,05	7,99	6,95	6,05	5,19	TIO-005	
	6,51	8,79	9,45	9,93	10,26	10,48	9,25	8,05	7,01	6,01	TIO-006		
30		0,09	0,19	0,21	0,23	0,24	0,25	0,23	0,20	0,17	0,15	TIO-00X	
		0,25	0,51	0,57	0,62	0,65	0,67	0,60	0,52	0,46	0,40	TIO-000	
		0,60	1,20	1,35	1,46	1,54	1,59	1,42	1,25	1,09	0,94	TIO-001	
		0,98	1,96	2,21	2,39	2,51	2,60	2,32	2,03	1,78	1,54	TIO-002	
		1,58	3,16	3,57	3,85	4,05	4,19	3,74	3,28	2,87	2,48	TIO-003	
		2,63	5,25	5,92	6,39	6,73	6,96	6,21	5,44	4,77	4,11	TIO-004	
		3,20	6,39	7,20	7,78	8,19	8,47	7,56	6,62	5,81	5,00	TIO-005	
	3,71	7,40	8,34	9,01	9,49	9,82	8,75	7,67	6,73	5,80	TIO-006		
25			0,14	0,18	0,20	0,22	0,23	0,21	0,18	0,16	0,14	TIO-00X	
			0,37	0,47	0,54	0,58	0,61	0,56	0,49	0,43	0,38	TIO-000	
			0,89	1,12	1,27	1,38	1,46	1,32	1,17	1,03	0,90	TIO-001	
			1,45	1,82	2,08	2,25	2,38	2,15	1,91	1,68	1,46	TIO-002	
			2,33	2,94	3,35	3,64	3,84	3,47	3,07	2,72	2,36	TIO-003	
			3,87	4,88	5,56	6,03	6,37	5,76	5,10	4,51	3,91	TIO-004	
			4,71	5,94	6,76	7,34	7,75	7,01	6,21	5,49	4,76	TIO-005	
		5,45	6,88	7,84	8,51	8,98	8,12	7,19	6,36	5,52	TIO-006		
20			0,02	0,12	0,16	0,19	0,20	0,19	0,17	0,15	0,13	TIO-00X	
			0,04	0,33	0,43	0,50	0,54	0,50	0,45	0,40	0,35	TIO-000	
			0,10	0,77	1,02	1,18	1,29	1,19	1,07	0,96	0,84	TIO-001	
			0,17	1,26	1,66	1,92	2,10	1,94	1,75	1,56	1,37	TIO-002	
			0,27	2,04	2,68	3,10	3,39	3,13	2,82	2,52	2,20	TIO-003	
			0,44	3,38	4,45	5,14	5,62	5,20	4,68	4,18	3,66	TIO-004	
			0,54	4,11	5,41	6,25	6,84	6,33	5,69	5,09	4,45	TIO-005	
		0,62	4,76	6,27	7,24	7,92	7,33	6,59	5,89	5,15	TIO-006		

Quick selection R 22

Condensing temperature °C	R 22 Capacity kW Valve Type TI..-H....														Orifice
	Evaporating temperature °C														
	+30	+20	+10	+5	0	-5	-10	-15	-20	-25	-30	-35	-40	-45	
50	0,38	0,45	0,50	0,51	0,52	0,53	0,53	0,46	0,41	0,35	0,30	0,26	0,22	0,19	TIO-00X
	0,98	1,17	1,29	1,33	1,35	1,38	1,36	1,20	1,05	0,91	0,78	0,66	0,57	0,48	TIO-000
	2,40	2,86	3,16	3,26	3,32	3,39	3,33	2,95	2,58	2,24	1,91	1,62	1,40	1,19	TIO-001
	4,03	4,78	5,29	4,47	5,56	5,67	5,57	4,95	4,32	3,75	3,20	2,72	2,35	2,00	TIO-002
	6,41	7,64	8,42	8,70	8,85	9,03	8,87	7,88	6,87	5,97	5,10	4,34	3,45	3,18	TIO-003
	10,50	12,51	13,79	14,26	14,50	14,80	14,53	12,90	11,26	9,79	8,35	7,10	6,14	5,21	TIO-004
	12,80	15,24	16,81	17,37	17,67	18,03	17,70	15,72	13,72	11,93	10,18	8,66	7,49	6,35	TIO-005
14,76	17,58	19,38	20,04	20,38	20,79	20,42	18,14	15,82	13,76	11,74	9,98	8,64	7,32	TIO-006	
40	0,24	0,37	0,44	0,46	0,48	0,50	0,49	0,44	0,39	0,34	0,29	0,25	0,22	0,18	TIO-00X
	0,61	0,95	1,14	1,20	1,25	1,29	1,27	1,15	1,01	0,88	0,75	0,64	0,56	0,47	TIO-000
	1,51	2,33	2,78	2,94	3,07	3,17	3,12	2,82	2,47	2,16	1,85	1,58	1,38	1,17	TIO-001
	2,52	3,90	4,66	4,92	5,13	5,30	5,23	4,73	4,14	3,62	3,10	2,65	2,31	1,96	TIO-002
	4,02	6,21	7,42	7,84	8,18	8,44	8,33	7,53	6,59	5,76	4,94	4,23	3,68	3,12	TIO-003
	6,59	10,17	12,16	12,85	13,39	13,83	13,65	12,33	10,79	9,44	8,10	6,92	6,03	5,12	TIO-004
	8,03	12,40	14,82	15,65	16,32	16,85	16,63	15,03	13,15	11,50	9,87	8,44	7,35	6,23	TIO-005
9,26	14,30	17,09	18,05	18,82	19,43	19,18	17,33	15,17	13,26	11,38	9,73	8,48	7,19	TIO-006	
35	0,30	0,40	0,43	0,45	0,47	0,48	0,43	0,38	0,33	0,29	0,24	0,21	0,18	TIO-00X	
	0,79	1,03	1,11	1,17	1,22	1,23	1,11	0,98	0,85	0,74	0,63	0,55	0,47	TIO-000	
	1,93	2,53	2,72	2,88	3,00	3,01	2,71	2,40	2,09	1,81	1,55	1,35	1,15	TIO-001	
	3,24	4,23	4,56	4,82	5,02	5,03	4,54	4,02	3,50	3,03	2,60	2,27	1,93	TIO-002	
	5,16	6,74	7,27	7,68	8,00	8,01	7,23	6,40	5,57	4,83	4,14	3,61	3,07	TIO-003	
	8,45	11,04	11,90	12,58	13,11	13,13	11,85	10,49	9,13	7,92	6,78	5,92	5,03	TIO-004	
	10,30	13,46	14,50	15,32	15,97	16,00	14,44	12,78	11,12	9,65	8,27	7,21	6,13	TIO-005	
11,87	15,52	16,73	17,67	18,42	18,45	16,65	14,74	12,83	11,13	9,53	8,32	7,07	TIO-006		
30	0,21	0,34	0,38	0,41	0,44	0,44	0,41	0,36	0,31	0,27	0,24	0,21	0,18	TIO-00X	
	0,55	0,89	0,99	1,07	1,13	1,15	1,05	0,93	0,81	0,70	0,61	0,53	0,46	TIO-000	
	1,35	2,19	2,44	2,63	2,78	2,81	2,57	2,29	1,99	1,72	1,50	1,31	1,12	TIO-001	
	2,26	3,67	4,09	4,41	4,66	4,71	4,30	3,83	3,33	2,88	2,52	2,20	1,88	TIO-002	
	3,59	5,84	6,51	7,02	7,42	7,50	6,84	6,10	5,30	4,59	4,01	3,51	2,99	TIO-003	
	5,89	9,56	10,66	11,50	12,16	12,28	11,21	10,00	8,68	7,51	6,57	5,75	4,90	TIO-004	
	7,18	11,65	12,99	14,02	14,81	14,97	13,66	12,18	10,58	9,16	8,01	7,01	5,98	TIO-005	
8,28	13,44	14,98	16,16	17,08	17,26	15,76	14,05	12,20	10,56	9,24	8,08	6,89	TIO-006		
25	0,28	0,33	0,38	0,40	0,41	0,38	0,34	0,30	0,26	0,23	0,20	0,17	TIO-00X		
	0,71	0,85	0,97	1,04	1,07	0,98	0,88	0,78	0,68	0,59	0,51	0,44	TIO-000		
	1,76	2,10	2,37	2,56	2,62	2,40	2,16	1,91	1,67	1,44	1,26	1,08	TIO-001		
	2,94	3,51	3,97	4,29	4,39	4,03	3,62	3,21	2,79	2,42	2,12	1,81	TIO-002		
	4,68	5,59	6,33	6,84	7,00	6,41	5,77	5,11	4,45	3,85	3,37	2,88	TIO-003		
	7,67	9,16	10,36	11,20	11,46	10,50	9,46	8,37	7,29	6,31	5,52	4,72	TIO-004		
	9,35	11,16	12,63	13,64	13,96	12,80	11,52	10,19	8,89	7,69	6,73	5,75	TIO-005		
10,79	12,88	14,57	15,74	16,11	14,76	13,29	11,76	10,25	8,87	7,76	6,64	TIO-006			
20	0,18	0,26	0,31	0,35	0,38	0,35	0,32	0,28	0,25	0,22	0,19	0,16	TIO-00X		
	0,45	0,67	0,81	0,91	0,97	0,91	0,83	0,73	0,64	0,56	0,49	0,42	TIO-000		
	1,12	1,65	2,00	2,24	2,38	2,22	2,03	1,79	1,58	1,37	1,21	1,04	TIO-001		
	1,87	2,77	3,34	3,76	3,98	3,72	3,39	3,00	2,65	2,30	2,02	1,74	TIO-002		
	2,98	4,41	5,33	5,99	6,34	5,92	5,40	4,78	4,22	3,66	3,22	2,77	TIO-003		
	4,88	7,22	8,72	9,80	10,38	9,70	8,85	7,84	6,91	6,00	5,28	4,54	TIO-004		
	5,95	8,80	10,63	11,95	12,65	11,83	10,79	9,55	8,42	7,31	6,44	5,53	TIO-005		
6,86	10,15	12,26	13,78	14,59	13,64	12,44	11,02	9,72	8,43	7,42	6,38	TIO-006			

Quick selection R 404A

Condensing temperature °C	R 404A Capacity kW Valve Type TI...S....														Orifice
	Evaporating temperature °C														
	+30	+20	+10	+5	0	-5	-10	-15	-20	-25	-30	-35	-40	-45	
50	0,27	0,32	0,34	0,35	0,35	0,35	0,34	0,30	0,25	0,22	0,18	0,15	0,13	0,10	TIO-00X
	0,71	0,82	0,88	0,89	0,89	0,89	0,88	0,77	0,65	0,56	0,47	0,39	0,33	0,27	TIO-000
	1,65	1,91	2,04	2,07	2,08	2,07	2,05	1,80	1,53	1,30	1,10	0,92	0,76	0,62	TIO-001
	2,82	3,28	3,50	3,55	3,57	3,55	3,52	3,08	2,62	2,24	1,88	1,58	1,30	1,07	TIO-002
	4,47	5,19	5,54	5,62	5,65	5,63	5,57	4,88	4,14	3,54	2,98	2,50	2,06	1,69	TIO-003
	7,29	8,47	9,05	9,17	9,21	9,18	9,09	7,96	6,76	5,78	4,86	4,07	3,37	2,76	TIO-004
	8,85	10,29	10,99	11,15	11,20	11,16	11,04	9,67	8,22	7,02	5,90	4,95	4,09	3,36	TIO-005
	10,26	11,93	12,74	12,92	12,98	12,93	12,80	11,21	9,53	8,13	6,84	5,74	4,75	3,89	TIO-006
40	0,20	0,29	0,34	0,35	0,36	0,37	0,37	0,33	0,28	0,24	0,21	0,18	0,15	0,12	TIO-00X
	0,51	0,75	0,87	0,91	0,93	0,95	0,95	0,84	0,73	0,63	0,54	0,46	0,38	0,32	TIO-000
	1,19	1,75	2,04	2,12	2,18	2,21	2,22	1,97	1,70	1,47	1,25	1,06	0,89	0,74	TIO-001
	2,03	3,00	3,49	3,64	3,73	3,78	3,80	3,38	2,91	2,52	2,14	1,82	1,53	1,27	TIO-002
	3,22	4,76	5,53	5,76	5,91	5,99	6,02	5,35	4,61	3,99	3,39	2,88	2,42	2,01	TIO-003
	5,25	7,76	9,02	9,40	9,64	9,78	9,83	8,73	7,52	6,50	5,54	4,70	3,94	3,28	TIO-004
	6,38	9,43	10,96	11,42	11,71	11,88	11,94	10,61	9,14	7,90	6,73	5,71	4,79	3,98	TIO-005
	7,40	10,93	12,71	13,23	13,58	13,77	13,84	12,30	10,59	9,16	7,80	6,62	5,55	4,62	TIO-006
35	0,25	0,32	0,34	0,34	0,36	0,37	0,37	0,33	0,29	0,25	0,21	0,18	0,15	0,13	TIO-00X
	0,65	0,83	0,88	0,88	0,92	0,94	0,95	0,85	0,74	0,64	0,55	0,47	0,40	0,33	TIO-000
	1,53	1,93	2,06	2,14	2,20	2,23	2,23	1,99	1,73	1,50	1,29	1,10	0,93	0,77	TIO-001
	2,62	3,32	3,52	3,67	3,76	3,82	3,82	3,42	2,96	2,58	2,21	1,88	1,59	1,33	TIO-002
	4,15	5,25	5,58	5,81	5,96	6,05	6,05	5,41	4,69	4,08	3,50	2,98	2,51	2,10	TIO-003
	6,77	8,56	9,10	9,48	9,72	9,86	9,86	8,83	7,65	6,66	5,70	4,87	4,10	3,43	TIO-004
	8,22	10,41	11,06	11,51	11,81	11,98	11,98	10,73	9,30	8,09	6,93	5,92	4,99	4,17	TIO-005
	9,53	12,06	12,82	13,35	13,69	13,89	13,89	12,44	10,78	9,38	8,03	6,86	5,78	4,83	TIO-006
30	0,19	0,29	0,32	0,34	0,36	0,36	0,33	0,29	0,25	0,22	0,19	0,16	0,13	0,10	TIO-00X
	0,49	0,75	0,83	0,88	0,91	0,94	0,94	0,85	0,74	0,65	0,56	0,48	0,41	0,34	TIO-000
	1,15	1,75	1,93	2,05	2,13	2,19	2,19	1,98	1,73	1,51	1,30	1,12	0,95	0,79	TIO-001
	1,97	3,01	3,30	3,51	3,66	3,75	3,75	3,39	2,96	2,59	2,23	1,92	1,62	1,36	TIO-002
	3,13	4,76	5,23	5,56	5,79	5,94	5,94	5,36	4,69	4,10	3,53	3,03	2,57	2,16	TIO-003
	5,10	7,77	8,53	9,07	9,44	9,69	9,69	8,75	7,65	6,70	5,77	4,95	4,19	3,52	TIO-004
	6,20	9,44	10,36	11,02	11,48	11,77	11,77	10,63	9,29	8,14	7,01	6,01	5,09	4,27	TIO-005
	7,18	10,94	12,01	12,77	13,30	13,65	13,65	12,33	10,77	9,43	8,12	6,97	5,90	4,95	TIO-006
25	0,25	0,29	0,32	0,34	0,36	0,36	0,32	0,28	0,25	0,22	0,19	0,16	0,13	0,10	TIO-00X
	0,63	0,74	0,81	0,86	0,90	0,90	0,82	0,73	0,64	0,55	0,48	0,41	0,34	0,27	TIO-000
	1,48	1,72	1,90	2,02	2,10	2,10	1,92	1,69	1,49	1,29	1,12	0,95	0,80	0,65	TIO-001
	2,53	2,95	3,25	3,46	3,60	3,60	3,29	2,90	2,56	2,22	1,91	1,63	1,37	1,11	TIO-002
	4,01	4,68	5,14	5,48	5,71	5,71	5,21	4,60	4,06	3,51	3,03	2,58	2,17	1,76	TIO-003
	6,54	7,63	8,39	8,94	9,31	9,31	8,51	7,50	6,62	5,73	4,95	4,21	3,55	2,94	TIO-004
	7,95	9,27	10,20	10,86	11,31	11,31	10,34	9,11	8,04	6,96	6,01	5,11	4,31	3,55	TIO-005
	9,22	10,75	11,82	12,59	13,11	13,11	11,98	10,56	9,32	8,07	6,97	5,93	5,00	4,17	TIO-006
20	0,17	0,24	0,28	0,31	0,33	0,33	0,30	0,27	0,24	0,21	0,18	0,16	0,13	0,10	TIO-00X
	0,44	0,61	0,72	0,79	0,84	0,84	0,78	0,70	0,62	0,54	0,47	0,40	0,34	0,27	TIO-000
	1,04	1,42	1,67	1,85	1,97	1,97	1,83	1,63	1,45	1,27	1,10	0,94	0,80	0,65	TIO-001
	1,78	2,44	2,87	3,16	3,37	3,37	3,13	2,79	2,49	2,17	1,88	1,61	1,36	1,11	TIO-002
	2,82	3,86	4,54	5,01	5,34	5,34	4,96	4,42	3,94	3,44	2,98	2,55	2,16	1,76	TIO-003
	4,59	6,30	7,41	8,17	8,71	8,71	8,09	7,21	6,42	5,61	4,87	4,16	3,53	2,94	TIO-004
	5,58	7,66	9,00	9,93	10,58	10,58	9,83	8,76	7,80	6,81	5,91	5,06	4,28	3,55	TIO-005
	6,47	8,88	10,43	11,51	12,27	12,27	11,39	10,16	9,05	7,90	6,86	5,86	4,97	4,17	TIO-006

Quick selection R 407C

Condensing temperature		Capacity kW Valve Type TI..-N....										Orifice
Dew point °C	Bubble point °C	R407C										
		Evaporating temperature °C										
		+20	+10	+5	0	-5	-10	-15	-20	-25		
54	50	0,49	0,52	0,52	0,53	0,53	0,53	0,46	0,38	0,32	TIO-00X	
		1,27	1,34	1,36	1,37	1,37	1,36	1,19	1,00	0,83	TIO-000	
		3,17	3,35	3,39	3,42	3,42	3,41	2,99	2,49	2,07	TIO-001	
		5,16	5,45	5,53	5,57	5,57	5,55	4,86	4,06	3,37	TIO-002	
		8,33	8,80	8,92	8,98	9,00	8,96	7,85	6,55	5,44	TIO-003	
		13,58	14,35	14,55	14,65	14,67	14,61	12,80	10,69	8,87	TIO-004	
		16,57	17,50	17,75	17,87	17,89	17,82	15,61	13,04	10,82	TIO-005	
		19,11	20,18	20,46	20,60	20,63	20,55	18,00	15,03	12,47	TIO-006	
45	40	0,44	0,49	0,51	0,52	0,53	0,53	0,47	0,39	0,33	TIO-00X	
		1,14	1,28	1,32	1,34	1,36	1,37	1,21	1,02	0,85	TIO-000	
		2,86	3,19	3,29	3,36	3,40	3,42	3,02	2,54	2,13	TIO-001	
		4,66	5,19	5,36	5,47	5,54	5,58	4,93	4,14	3,46	TIO-002	
		7,52	8,38	8,65	8,83	8,95	9,00	7,95	6,69	5,59	TIO-003	
		12,25	13,66	14,10	14,40	14,58	14,67	12,96	10,91	9,11	TIO-004	
		14,95	16,67	17,20	17,57	17,79	17,90	15,82	13,31	11,12	TIO-005	
		17,24	19,22	19,83	20,25	20,52	20,64	18,24	15,34	12,82	TIO-006	
40	35	0,40	0,47	0,49	0,50	0,51	0,52	0,46	0,39	0,33	TIO-00X	
		1,03	1,21	1,26	1,30	1,33	1,34	1,19	1,01	0,85	TIO-000	
		2,58	3,02	3,15	3,25	3,32	3,36	2,99	2,52	2,12	TIO-001	
		4,20	4,91	5,14	5,30	5,41	5,47	4,86	4,11	3,45	TIO-002	
		6,78	7,93	8,29	8,55	8,73	8,84	7,85	6,63	5,56	TIO-003	
		11,06	12,93	13,52	13,94	14,23	14,41	12,79	10,81	9,07	TIO-004	
		13,49	15,77	16,49	17,01	17,36	17,58	15,61	13,19	11,06	TIO-005	
		15,56	18,19	19,02	19,61	20,02	20,27	18,00	15,21	12,75	TIO-006	
35	30	0,34	0,43	0,46	0,48	0,49	0,50	0,45	0,38	0,32	TIO-00X	
		0,88	1,11	1,18	1,24	1,28	1,30	1,16	0,99	0,83	TIO-000	
		2,19	2,78	2,96	3,09	3,19	3,25	2,91	2,47	2,08	TIO-001	
		3,57	4,53	4,82	5,04	5,20	5,30	4,74	4,02	3,39	TIO-002	
		5,76	7,30	7,78	8,13	8,39	8,56	7,64	6,49	5,47	TIO-003	
		9,39	11,91	12,69	13,26	13,67	13,95	12,46	10,58	8,92	TIO-004	
		11,46	14,53	15,48	16,18	16,68	17,02	15,21	12,91	10,88	TIO-005	
		13,22	16,75	17,85	18,66	19,23	19,62	17,53	14,89	12,54	TIO-006	
30	25	0,38	0,42	0,44	0,46	0,48	0,48	0,43	0,37	0,31	TIO-00X	
		0,98	1,08	1,15	1,21	1,24	1,24	1,12	0,96	0,81	TIO-000	
		2,46	2,70	2,88	3,01	3,11	3,11	2,80	2,39	2,02	TIO-001	
		4,01	4,40	4,70	4,91	5,06	5,06	4,55	3,89	3,29	TIO-002	
		6,47	7,11	7,58	7,92	8,16	8,16	7,35	6,28	5,32	TIO-003	
		10,55	11,59	12,36	12,91	13,31	13,31	11,98	10,24	8,67	TIO-004	
		12,87	14,14	15,07	15,75	16,24	16,24	14,62	12,49	10,58	TIO-005	
		14,84	16,31	17,38	18,17	18,72	18,72	16,86	14,40	12,19	TIO-006	
26	20	0,37	0,40	0,43	0,45	0,47	0,47	0,41	0,35	0,30	TIO-00X	
		0,95	1,04	1,11	1,16	1,16	1,16	1,06	0,91	0,78	TIO-000	
		2,37	2,61	2,78	2,91	2,91	2,91	2,65	2,28	1,94	TIO-001	
		3,86	4,25	4,54	4,74	4,74	4,74	4,31	3,71	3,16	TIO-002	
		6,23	6,86	7,32	7,65	7,65	7,65	6,96	6,00	5,11	TIO-003	
		10,16	11,19	11,93	12,47	12,47	12,47	11,35	9,77	8,33	TIO-004	
		12,40	13,65	14,56	15,22	15,22	15,22	13,85	11,92	10,16	TIO-005	
		14,30	15,74	16,79	17,55	17,55	17,55	15,97	13,75	11,71	TIO-006	

The evaporating / condensing temperatures are saturation temperatures (dew / bubble points).

Quick selection R 410A

Condensing temperature °C	R 410A Capacity kW Valve Type TI..-Z....												Orifice	
	Evaporating temperature °C													
	+15	+10	+5	0	-5	-10	-15	-20	-25	-30	-35	-40		-45
50	0,53	0,55	0,57	0,58	0,59	0,60	0,53	0,47	0,40	0,33	0,28	0,23	0,20	TIO-00X
	1,38	1,44	1,49	1,52	1,54	1,56	1,39	1,21	1,03	0,87	0,73	0,61	0,51	TIO-000
	3,40	3,55	3,66	3,74	3,80	3,84	3,41	2,98	2,54	2,14	1,79	1,49	1,25	TIO-001
	5,64	5,87	6,06	6,20	6,29	6,36	5,65	4,94	4,21	3,54	2,96	2,48	2,08	TIO-002
	9,04	9,42	9,72	9,94	10,09	10,20	9,06	7,92	6,75	5,68	4,75	3,97	3,33	TIO-003
	14,79	15,41	15,89	16,25	16,51	16,67	14,82	12,94	11,03	9,28	7,76	6,49	5,44	TIO-004
	17,98	18,73	19,32	19,76	20,07	20,27	18,02	15,74	13,42	11,28	9,44	7,89	6,62	TIO-005
20,75	21,61	22,29	22,79	23,16	23,39	20,79	18,16	15,48	13,02	10,89	9,11	7,63	TIO-006	
40	0,49	0,53	0,55	0,58	0,59	0,61	0,54	0,48	0,41	0,35	0,29	0,25	0,21	TIO-00X
	1,28	1,37	1,44	1,50	1,54	1,58	1,41	1,24	1,07	0,90	0,76	0,64	0,54	TIO-000
	3,14	3,37	3,55	3,69	3,80	3,88	3,48	3,06	2,63	2,22	1,87	1,57	1,32	TIO-001
	5,20	5,58	5,88	6,11	6,29	6,42	5,76	5,07	4,35	3,68	3,10	2,60	2,19	TIO-002
	8,35	8,95	9,43	9,81	10,09	10,30	9,24	8,13	6,98	5,91	4,97	4,18	3,52	TIO-003
	13,65	14,64	15,42	16,04	16,50	16,85	15,11	13,30	11,41	9,66	8,13	6,83	5,76	TIO-004
	16,60	17,80	18,75	19,50	20,06	20,48	18,37	16,17	13,88	11,75	9,88	8,31	7,00	TIO-005
19,15	20,54	21,64	22,50	23,15	23,64	21,20	18,66	16,01	13,55	11,40	9,58	8,07	TIO-006	
35	0,45	0,49	0,53	0,56	0,58	0,60	0,54	0,47	0,41	0,35	0,29	0,25	0,21	TIO-00X
	1,17	1,28	1,38	1,45	1,51	1,55	1,40	1,23	1,06	0,90	0,76	0,64	0,54	TIO-000
	2,87	3,16	3,39	3,57	3,70	3,81	3,44	3,04	2,62	2,22	1,88	1,58	1,34	TIO-001
	4,75	5,23	5,61	5,91	6,14	6,31	5,69	5,03	4,34	3,68	3,11	2,62	2,21	TIO-002
	7,62	8,39	9,00	9,47	9,84	10,12	9,13	8,07	6,96	5,91	4,99	4,20	3,55	TIO-003
	12,46	13,73	14,72	15,49	16,09	16,55	14,93	13,20	11,38	9,66	8,15	6,87	5,80	TIO-004
	15,15	16,69	17,89	18,84	19,57	20,12	18,15	16,05	13,83	11,75	9,91	8,35	7,05	TIO-005
17,48	19,26	20,65	21,73	22,58	23,22	20,94	18,52	15,96	13,55	11,44	9,64	8,14	TIO-006	
30	0,39	0,45	0,49	0,53	0,55	0,58	0,52	0,47	0,40	0,34	0,29	0,25	0,21	TIO-00X
	1,00	1,16	1,28	1,37	1,44	1,50	1,36	1,21	1,05	0,89	0,76	0,64	0,54	TIO-000
	2,47	2,86	3,15	3,37	3,55	3,69	3,35	2,98	2,58	2,20	1,86	1,57	1,33	TIO-001
	4,10	4,73	5,21	5,59	5,88	6,10	5,55	4,93	4,27	3,64	3,08	2,61	2,21	TIO-002
	6,57	7,59	8,36	8,96	9,43	9,79	8,89	7,91	6,85	5,84	4,94	4,18	3,54	TIO-003
	10,74	12,41	13,67	14,66	15,42	16,01	14,54	12,94	11,20	9,55	8,09	6,83	5,79	TIO-004
	13,06	15,09	16,63	17,82	18,75	19,46	17,68	15,73	13,62	11,61	9,83	8,31	7,04	TIO-005
15,07	17,41	19,18	20,56	21,63	22,46	20,40	18,15	15,71	13,40	11,34	9,59	8,12	TIO-006	
25	0,30	0,38	0,44	0,49	0,52	0,55	0,50	0,45	0,39	0,34	0,29	0,24	0,21	TIO-00X
	0,77	0,99	1,15	1,26	1,35	1,42	1,31	1,17	1,02	0,87	0,74	0,63	0,53	TIO-000
	1,89	2,43	2,82	3,11	3,33	3,50	3,21	2,88	2,51	2,15	1,83	1,55	1,32	TIO-001
	3,13	4,03	4,67	5,15	5,52	5,80	5,32	4,77	4,16	3,56	3,03	2,57	2,18	TIO-002
	5,03	6,46	7,49	8,26	8,85	9,31	8,54	7,65	6,66	5,71	4,85	4,11	3,49	TIO-003
	8,22	10,57	12,24	13,50	14,47	15,22	13,97	12,51	10,90	9,34	7,93	6,73	5,71	TIO-004
	10,00	12,85	14,89	16,42	17,60	18,51	16,98	15,22	13,25	11,35	9,65	8,18	6,95	TIO-005
11,53	14,83	17,18	18,95	20,31	21,36	19,59	17,56	15,29	13,10	11,13	9,44	8,01	TIO-006	
20	0,13	0,28	0,37	0,43	0,48	0,51	0,47	0,43	0,38	0,32	0,28	0,24	0,20	TIO-00X
	0,33	0,74	0,96	1,12	1,24	1,33	1,23	1,12	0,98	0,84	0,72	0,61	0,52	TIO-000
	0,82	1,82	2,37	2,76	3,04	3,26	3,04	2,75	2,41	2,08	1,77	1,51	1,29	TIO-001
	1,35	3,02	3,93	4,57	5,04	5,41	5,03	4,55	3,99	3,44	2,94	2,50	2,13	TIO-002
	2,17	4,84	6,30	7,32	8,09	8,67	8,06	7,30	6,40	5,52	4,71	4,01	3,42	TIO-003
	3,55	7,91	10,30	11,98	13,23	14,18	13,18	11,93	10,47	9,02	7,70	6,56	5,59	TIO-004
	4,32	9,62	12,52	14,56	16,08	17,24	16,03	14,51	12,73	10,97	9,36	7,97	6,79	TIO-005
4,98	11,10	14,45	16,80	18,55	19,89	18,50	16,74	14,68	12,65	10,81	9,20	7,84	TIO-006	

Quick selection R 507

Condensing temperature °C	Capacity kW Valve Type TI.-S....													Orifice	
	R 507														
	Evaporating temperature °C														
	+30	+20	+10	+5	0	-5	-10	-15	-20	-25	-30	-35	-40	-45	
50	0,29	0,34	0,36	0,37	0,37	0,37	0,37	0,32	0,27	0,23	0,19	0,16	0,13	0,11	TIO-00X
	0,73	0,85	0,91	0,92	0,93	0,93	0,92	0,80	0,68	0,58	0,49	0,4	0,33	0,26	TIO-000
	1,68	1,95	2,09	2,12	2,13	2,13	2,11	1,83	1,57	1,33	1,12	0,92	0,76	0,61	TIO-001
	2,85	3,31	3,54	3,59	3,62	3,61	3,58	3,10	2,66	2,26	1,89	1,57	1,28	1,03	TIO-002
	4,54	5,26	5,63	5,71	5,75	5,74	5,69	4,93	4,23	3,59	3,01	2,49	2,04	1,64	TIO-003
	7,39	8,57	9,17	9,31	9,36	9,35	9,28	8,04	6,88	5,85	4,90	4,06	3,32	2,67	TIO-004
	9,00	10,44	11,16	11,33	11,40	11,39	11,30	9,79	8,38	7,12	5,97	4,94	4,04	3,26	TIO-005
10,39	12,05	12,89	13,08	13,16	13,15	13,04	11,31	9,68	8,22	6,89	5,7	4,66	3,76	TIO-006	
40	0,21	0,31	0,36	0,37	0,38	0,39	0,39	0,34	0,30	0,26	0,22	0,18	0,15	0,12	TIO-00X
	0,52	0,77	0,89	0,93	0,96	0,97	0,98	0,86	0,75	0,64	0,54	0,46	0,38	0,31	TIO-000
	1,20	1,77	2,05	2,14	2,20	2,23	2,25	1,98	1,71	1,47	1,25	1,05	0,87	0,71	TIO-001
	2,04	3,00	3,48	3,63	3,73	3,79	3,82	3,35	2,91	2,50	2,12	1,78	1,47	1,2	TIO-002
	3,24	4,76	5,54	5,77	5,93	6,02	6,07	5,33	4,62	3,97	3,37	2,82	2,34	1,91	TIO-003
	5,28	7,76	9,02	9,40	9,66	9,81	9,88	8,68	7,53	6,47	5,49	4,6	3,8	3,1	TIO-004
	6,43	9,45	10,99	11,45	11,76	11,95	12,04	10,57	9,17	7,88	6,68	5,6	4,63	3,78	TIO-005
7,42	10,91	12,68	13,22	13,58	13,79	13,90	12,20	10,59	9,10	7,72	6,46	5,35	4,36	TIO-006	
35	0,27	0,34	0,36	0,37	0,38	0,39	0,35	0,30	0,26	0,22	0,19	0,16	0,13	TIO-00X	
	0,67	0,84	0,90	0,94	0,96	0,98	0,86	0,75	0,65	0,56	0,47	0,39	0,32	TIO-000	
	1,53	1,94	2,06	2,15	2,21	2,25	1,99	1,74	1,50	1,28	1,08	0,9	0,73	TIO-001	
	2,60	3,29	3,50	3,65	3,75	3,81	3,37	2,94	2,55	2,17	1,83	1,52	1,25	TIO-002	
	4,14	5,23	5,56	5,80	5,96	6,06	5,36	4,68	4,05	3,45	2,9	2,41	1,98	TIO-003	
	6,74	8,52	9,06	9,45	9,71	9,87	8,73	7,62	6,59	5,62	4,73	3,93	3,23	TIO-004	
	8,21	10,38	11,04	11,50	11,82	12,02	10,63	9,28	8,03	6,84	5,76	4,79	3,93	TIO-005	
9,47	11,98	12,74	13,28	13,65	13,87	12,27	10,72	9,27	7,90	6,65	5,53	4,54	TIO-006		
30	0,20	0,31	0,34	0,36	0,37	0,38	0,34	0,30	0,26	0,22	0,19	0,16	0,13	TIO-00X	
	0,50	0,76	0,84	0,89	0,93	0,96	0,85	0,75	0,65	0,56	0,47	0,4	0,33	TIO-000	
	1,16	1,75	1,93	2,05	2,14	2,20	1,96	1,73	1,50	1,29	1,09	0,91	0,75	TIO-001	
	1,96	2,98	3,27	3,48	3,63	3,73	3,33	2,93	2,55	2,19	1,85	1,54	1,27	TIO-002	
	3,12	4,73	5,19	5,53	5,77	5,93	5,29	4,66	4,05	3,47	2,94	2,45	2,02	TIO-003	
	5,08	7,71	8,46	9,01	9,40	9,66	8,62	7,59	6,60	5,66	4,79	4	3,29	TIO-004	
	6,18	9,38	10,30	10,97	11,44	11,76	10,50	9,24	8,04	6,89	5,83	4,87	4,01	TIO-005	
7,14	10,83	11,90	12,66	13,21	13,58	12,12	10,67	9,28	7,96	6,73	5,62	4,63	TIO-006		
25	0,26	0,30	0,33	0,35	0,37	0,33	0,29	0,26	0,22	0,19	0,16	0,13	TIO-00X		
	0,64	0,75	0,82	0,88	0,92	0,83	0,73	0,64	0,56	0,47	0,4	0,33	TIO-000		
	1,48	1,72	1,90	2,02	2,11	1,90	1,69	1,48	1,28	1,09	0,91	0,75	TIO-001		
	2,50	2,92	3,21	3,43	3,58	3,23	2,87	2,51	2,17	1,84	1,55	1,28	TIO-002		
	3,98	4,64	5,11	5,45	5,68	5,13	4,56	3,99	3,45	2,93	2,46	2,03	TIO-003		
	6,48	7,56	8,32	8,87	9,26	8,36	7,42	6,51	5,61	4,77	4,01	3,32	TIO-004		
	7,89	9,20	10,13	10,80	11,28	10,18	9,04	7,92	6,84	5,82	4,88	4,04	TIO-005		
9,11	10,63	11,70	12,47	13,02	11,76	10,44	9,15	7,89	6,71	5,63	4,66	TIO-006			
20	0,18	0,25	0,29	0,32	0,34	0,31	0,28	0,25	0,22	0,19	0,16	0,13	TIO-00X		
	0,45	0,62	0,73	0,80	0,86	0,79	0,71	0,63	0,54	0,46	0,39	0,33	TIO-000		
	1,04	1,42	1,67	1,85	1,97	1,81	1,63	1,44	1,25	1,07	0,9	0,75	TIO-001		
	1,76	2,41	2,84	3,13	3,34	3,07	2,76	2,44	2,12	1,81	1,53	1,27	TIO-002		
	2,80	3,84	4,51	4,98	5,32	4,88	4,38	3,88	3,37	2,88	2,43	2,02	TIO-003		
	4,57	6,25	7,34	8,11	8,66	7,95	7,14	6,31	5,49	4,7	3,96	3,29	TIO-004		
	5,56	7,61	8,94	9,88	10,55	9,68	8,69	7,69	6,68	5,72	4,82	4,01	TIO-005		
6,42	8,78	10,32	11,40	12,18	11,17	10,04	8,88	7,71	6,6	5,57	4,63	TIO-006			

Quick selection R 422A

Condensing temperature		R 422A Capacity kW Valve Type TI..-S....												Orifice
Dew point	Bubble point	Evaporating temperature °C												
°C	°C	+15	+10	+5	0	01	-15	-20	-25	-30	-35	-40	-45	
51	50	0,27	0,28	0,28	0,28	0,28	0,28	0,24	0,21	0,17	0,14	0,12	0,10	TIO-00X
		0,71	0,72	0,73	0,73	0,72	0,72	0,63	0,54	0,45	0,38	0,31	0,25	TIO-000
		1,74	1,77	1,79	1,79	1,77	1,76	1,55	1,33	1,11	0,92	0,76	0,62	TIO-001
		2,89	2,94	2,96	2,96	2,93	2,92	2,57	2,20	1,85	1,53	1,26	1,03	TIO-002
		4,63	4,71	4,75	4,74	4,70	4,68	4,12	3,53	2,96	2,46	2,02	1,66	TIO-003
		7,57	7,71	7,77	7,75	7,68	7,65	6,74	5,77	4,84	4,02	3,31	2,71	TIO-004
		9,20	9,37	9,44	9,43	9,34	9,30	8,19	7,01	5,89	4,88	4,02	3,30	TIO-005
		10,6	10,8	10,9	10,8	10,7	10,7	9,45	8,09	6,79	5,63	4,64	3,80	TIO-006
41	40	0,27	0,28	0,29	0,30	0,30	0,30	0,27	0,24	0,20	0,17	0,14	0,12	TIO-00X
		0,69	0,73	0,76	0,77	0,78	0,79	0,70	0,61	0,52	0,44	0,37	0,31	TIO-000
		1,71	1,80	1,86	1,90	1,91	1,94	1,73	1,51	1,28	1,08	0,90	0,75	TIO-001
		2,83	2,98	3,08	3,14	3,17	3,21	2,87	2,50	2,13	1,79	1,50	1,25	TIO-002
		4,54	4,78	4,94	5,04	5,09	5,15	4,61	4,00	3,41	2,87	2,40	2,00	TIO-003
		7,43	7,82	8,09	8,24	8,32	8,42	7,53	6,55	5,58	4,70	3,93	3,27	TIO-004
		9,03	9,51	9,83	10,0	10,1	10,2	9,16	7,96	6,78	5,71	4,77	3,98	TIO-005
		10,4	10,9	11,3	11,5	11,6	11,8	10,5	9,18	7,83	6,59	5,51	4,59	TIO-006
36	35	0,25	0,27	0,28	0,29	0,30	0,31	0,28	0,24	0,21	0,18	0,15	0,12	TIO-00X
		0,65	0,70	0,74	0,77	0,78	0,80	0,72	0,63	0,54	0,46	0,38	0,32	TIO-000
		1,60	1,73	1,82	1,88	1,92	1,96	1,77	1,55	1,33	1,13	0,95	0,79	TIO-001
		2,65	2,87	3,02	3,12	3,18	3,25	2,93	2,57	2,20	1,87	1,57	1,32	TIO-002
		4,25	4,60	4,84	5,01	5,11	5,22	4,71	4,12	3,53	2,99	2,52	2,11	TIO-003
		6,94	7,52	7,92	8,19	8,35	8,53	7,70	6,73	5,78	4,89	4,12	3,45	TIO-004
		8,44	9,14	9,63	9,95	10,1	10,3	9,36	8,19	7,02	5,95	5,00	4,20	TIO-005
		9,74	10,5	11,1	11,4	11,7	11,9	10,8	9,45	8,10	6,86	5,77	4,84	TIO-006
31	30	0,22	0,25	0,27	0,29	0,29	0,30	0,28	0,24	0,21	0,18	0,15	0,13	TIO-00X
		0,57	0,65	0,70	0,74	0,77	0,79	0,72	0,64	0,55	0,47	0,40	0,33	TIO-000
		1,41	1,60	1,73	1,83	1,89	1,95	1,77	1,57	1,35	1,15	0,97	0,82	TIO-001
		2,33	2,65	2,87	3,02	3,13	3,23	2,94	2,59	2,24	1,91	1,61	1,36	TIO-002
		3,74	4,24	4,60	4,85	5,01	5,18	4,71	4,16	3,59	3,06	2,59	2,18	TIO-003
		6,11	6,94	7,52	7,93	8,20	8,47	7,71	6,80	5,87	5,00	4,23	3,57	TIO-004
		7,43	8,44	9,15	9,64	9,97	10,3	9,37	8,27	7,14	6,08	5,15	4,34	TIO-005
		8,58	9,74	10,5	11,1	11,5	11,8	10,8	9,54	8,23	7,02	5,94	5,01	TIO-006
26	25	0,17	0,22	0,25	0,27	0,28	0,30	0,27	0,24	0,21	0,18	0,15	0,13	TIO-00X
		0,45	0,56	0,64	0,70	0,74	0,77	0,71	0,63	0,55	0,47	0,40	0,34	TIO-000
		1,10	1,39	1,58	1,72	1,81	1,90	1,74	1,55	1,35	1,16	0,99	0,84	TIO-001
		1,82	2,30	2,62	2,84	3,00	3,14	2,89	2,57	2,24	1,92	1,63	1,38	TIO-002
		2,92	3,68	4,20	4,56	4,81	5,04	4,63	4,12	3,59	3,08	2,62	2,22	TIO-003
		4,78	6,03	6,86	7,45	7,86	8,24	7,58	6,74	5,86	5,03	4,28	3,63	TIO-004
		5,81	7,33	8,35	9,06	9,56	10,0	9,21	8,20	7,13	6,12	5,20	4,41	TIO-005
		6,70	8,45	9,63	10,4	11,0	11,5	10,6	9,46	8,23	7,06	6,00	5,09	TIO-006
21	20	0,08	0,17	0,21	0,24	0,26	0,28	0,26	0,24	0,21	0,18	0,15	0,13	TIO-00X
		0,20	0,43	0,55	0,63	0,68	0,73	0,68	0,61	0,54	0,47	0,40	0,34	TIO-000
		0,50	1,06	1,35	1,55	1,68	1,80	1,68	1,51	1,33	1,15	0,98	0,84	TIO-001
		0,83	1,75	2,24	2,56	2,79	2,98	2,78	2,50	2,20	1,90	1,63	1,39	TIO-002
		1,33	2,81	3,59	4,11	4,47	4,78	4,46	4,01	3,52	3,04	2,61	2,22	TIO-003
		2,17	4,59	5,87	6,72	7,31	7,82	7,30	6,56	5,76	4,98	4,26	3,63	TIO-004
		2,64	5,58	7,14	8,17	8,89	9,50	8,87	7,98	7,00	6,05	5,18	4,42	TIO-005
		3,04	6,44	8,23	9,43	10,2	10,9	10,2	9,21	8,08	6,98	5,98	5,10	TIO-006

The evaporating / condensing temperatures are saturation temperatures (dew / bubble points).
For this refrigerant the TI..-S... must be readjusted (see page 3).

Quick selection R 422D

Condensing temperature		R 422D												Orifice
Dew point °C	Bubble point °C	Capacity kW Valve Type TI...H....												
		Evaporating temperature °C												
		+15	+10	+5	0	01	-15	-20	-25	-30	-35	-40	-45	
52	50	0,31	0,32	0,32	0,32	0,32	0,31	0,27	0,23	0,19	0,16	0,13	0,11	TIO-00X
		0,81	0,82	0,83	0,83	0,83	0,82	0,70	0,60	0,50	0,41	0,34	0,28	TIO-000
		1,99	2,03	2,05	2,05	2,03	2,01	1,73	1,47	1,23	1,02	0,84	0,70	TIO-001
		3,30	3,36	3,39	3,39	3,37	3,33	2,86	2,43	2,03	1,69	1,40	1,16	TIO-002
		5,29	5,39	5,44	5,44	5,40	5,33	4,59	3,89	3,26	2,71	2,24	1,86	TIO-003
		8,65	8,81	8,89	8,89	8,84	8,72	7,50	6,37	5,33	4,43	3,67	3,03	TIO-004
		10,5	10,7	10,8	10,8	10,7	10,6	9,12	7,74	6,48	5,39	4,46	3,69	TIO-005
		12,1	12,3	12,4	12,4	12,4	12,2	10,5	8,93	7,48	6,22	5,15	4,26	TIO-006
42	40	0,30	0,31	0,32	0,33	0,33	0,33	0,29	0,25	0,21	0,18	0,15	0,12	TIO-00X
		0,77	0,81	0,83	0,85	0,86	0,86	0,75	0,64	0,54	0,46	0,38	0,32	TIO-000
		1,90	1,99	2,05	2,09	2,11	2,12	1,84	1,58	1,34	1,13	0,94	0,79	TIO-001
		3,14	3,30	3,40	3,47	3,50	3,50	3,05	2,62	2,22	1,87	1,56	1,31	TIO-002
		5,04	5,29	5,46	5,56	5,61	5,62	4,89	4,20	3,56	2,99	2,51	2,10	TIO-003
		8,24	8,65	8,93	9,10	9,18	9,19	8,00	6,88	5,82	4,89	4,10	3,43	TIO-004
		10,0	10,5	10,8	11,0	11,1	11,1	9,73	8,36	7,08	5,95	4,98	4,17	TIO-005
		11,5	12,1	12,5	12,7	12,8	12,8	11,2	9,65	8,17	6,87	5,75	4,81	TIO-006
37	35	0,28	0,30	0,31	0,32	0,33	0,33	0,29	0,25	0,21	0,18	0,15	0,13	TIO-00X
		0,72	0,77	0,81	0,84	0,85	0,86	0,75	0,65	0,55	0,47	0,39	0,33	TIO-000
		1,76	1,90	1,99	2,06	2,10	2,11	1,85	1,60	1,37	1,15	0,97	0,82	TIO-001
		2,92	3,14	3,30	3,40	3,47	3,50	3,07	2,65	2,26	1,91	1,61	1,35	TIO-002
		4,68	5,04	5,29	5,46	5,57	5,62	4,93	4,26	3,63	3,06	2,58	2,17	TIO-003
		7,65	8,24	8,65	8,93	9,10	9,19	8,05	6,96	5,93	5,01	4,22	3,55	TIO-004
		9,31	10,0	10,5	10,8	11,0	11,1	9,79	8,47	7,21	6,09	5,13	4,31	TIO-005
		10,7	11,5	12,1	12,5	12,7	12,8	11,3	9,77	8,32	7,03	5,91	4,97	TIO-006
32	30	0,24	0,27	0,29	0,31	0,32	0,32	0,29	0,25	0,21	0,18	0,15	0,13	TIO-00X
		0,63	0,71	0,76	0,80	0,83	0,84	0,75	0,65	0,56	0,47	0,40	0,34	TIO-000
		1,55	1,74	1,88	1,97	2,04	2,08	1,84	1,60	1,37	1,16	0,98	0,83	TIO-001
		2,58	2,89	3,11	3,27	3,38	3,44	3,04	2,65	2,27	1,93	1,63	1,38	TIO-002
		4,13	4,63	4,99	5,24	5,41	5,52	4,88	4,25	3,64	3,09	2,61	2,21	TIO-003
		6,75	7,58	8,16	8,58	8,85	9,02	7,98	6,94	5,95	5,05	4,27	3,61	TIO-004
		8,21	9,21	9,93	10,4	10,7	10,9	9,70	8,44	7,23	6,14	5,19	4,39	TIO-005
		9,48	10,6	11,4	12,0	12,4	12,6	11,1	9,74	8,34	7,08	5,99	5,06	TIO-006
27	25	0,19	0,24	0,27	0,29	0,30	0,31	0,28	0,25	0,21	0,18	0,15	0,13	TIO-00X
		0,50	0,62	0,70	0,75	0,79	0,81	0,73	0,64	0,55	0,47	0,40	0,34	TIO-000
		1,24	1,52	1,71	1,85	1,94	2,00	1,79	1,57	1,35	1,16	0,98	0,83	TIO-001
		2,06	2,52	2,83	3,06	3,21	3,32	2,96	2,60	2,24	1,91	1,63	1,38	TIO-002
		3,30	4,04	4,55	4,90	5,15	5,32	4,75	4,17	3,59	3,07	2,61	2,21	TIO-003
		5,40	6,61	7,43	8,02	8,43	8,70	7,77	6,82	5,88	5,02	4,27	3,62	TIO-004
		6,56	8,03	9,04	9,75	10,2	10,5	9,45	8,29	7,15	6,10	5,19	4,40	TIO-005
		7,57	9,27	10,4	11,2	11,8	12,2	10,9	9,56	8,25	7,04	5,98	5,08	TIO-006
22	20	0,11	0,19	0,23	0,26	0,28	0,30	0,27	0,24	0,21	0,18	0,15	0,13	TIO-00X
		0,29	0,48	0,60	0,68	0,73	0,77	0,69	0,62	0,54	0,46	0,39	0,34	TIO-000
		0,70	1,19	1,47	1,66	1,80	1,89	1,71	1,52	1,32	1,13	0,97	0,83	TIO-001
		1,16	1,97	2,44	2,75	2,98	3,13	2,83	2,51	2,18	1,88	1,60	1,37	TIO-002
		1,86	3,16	3,91	4,42	4,77	5,02	4,54	4,03	3,50	3,01	2,57	2,19	TIO-003
		3,05	5,17	6,39	7,22	7,81	8,21	7,43	6,58	5,72	4,92	4,20	3,59	TIO-004
		3,71	6,28	7,77	8,78	9,49	9,98	9,03	8,00	6,96	5,98	5,11	4,36	TIO-005
		4,28	7,25	8,97	10,1	10,9	11,5	10,4	9,23	8,03	6,90	5,90	5,03	TIO-006

The evaporating / condensing temperatures are saturation temperatures (dew / bubble points).
For this refrigerant the TI...H... must be readjusted (see page 3).

Quick selection R 413A

Condensing temperature		R 413A											Orifice
Dew point	Bubble point	Capacity kW Valve Type TI..-M....											
°C	°C	Evaporating temperature °C											
		+15	+10	+5	0	-5	-10	-15	-20	-25	-30		
52	50	0,28	0,28	0,29	0,29	0,29	0,28	0,24	0,21	0,18	0,15		TIO-00X
		0,74	0,75	0,76	0,76	0,76	0,75	0,64	0,55	0,47	0,39		TIO-000
		1,75	1,79	1,81	1,82	1,81	1,79	1,52	1,30	1,11	0,94		TIO-001
		2,85	2,92	2,95	2,96	2,95	2,93	2,49	2,12	1,81	1,53		TIO-002
		4,60	4,71	4,76	4,78	4,76	4,72	4,01	3,42	2,92	2,46		TIO-003
		7,63	7,81	7,91	7,93	7,91	7,83	6,66	5,68	4,84	4,09		TIO-004
		9,29	9,50	9,62	9,66	9,62	9,53	8,10	6,91	5,89	4,98		TIO-005
10,7	11,0	11,1	11,1	11,1	11,0	9,39	8,01	6,83	5,77		TIO-006		
42	40	0,25	0,26	0,27	0,28	0,28	0,28	0,24	0,21	0,18	0,15		TIO-00X
		0,66	0,70	0,72	0,74	0,75	0,75	0,65	0,56	0,48	0,41		TIO-000
		1,57	1,66	1,72	1,76	1,78	1,78	1,54	1,32	1,14	0,97		TIO-001
		2,55	2,70	2,80	2,87	2,90	2,91	2,50	2,16	1,86	1,58		TIO-002
		4,12	4,36	4,52	4,62	4,68	4,70	4,04	3,48	3,00	2,55		TIO-003
		6,84	7,23	7,50	7,68	7,77	7,80	6,71	5,78	4,97	4,24		TIO-004
		8,32	8,80	9,13	9,34	9,45	9,49	8,16	7,03	6,05	5,16		TIO-005
9,64	10,2	10,5	10,8	10,9	10,9	9,45	8,14	7,01	5,98		TIO-006		
37	35	0,22	0,24	0,26	0,27	0,27	0,27	0,24	0,21	0,18	0,15		TIO-00X
		0,59	0,65	0,68	0,71	0,72	0,73	0,63	0,55	0,48	0,41		TIO-000
		1,41	1,53	1,62	1,68	1,72	1,74	1,51	1,31	1,13	0,97		TIO-001
		2,30	2,50	2,65	2,74	2,81	2,84	2,46	2,13	1,84	1,58		TIO-002
		3,70	4,03	4,27	4,43	4,53	4,58	3,97	3,44	2,97	2,55		TIO-003
		6,15	6,70	7,08	7,35	7,52	7,61	6,59	5,71	4,94	4,23		TIO-004
		7,48	8,15	8,62	8,94	9,15	9,26	8,02	6,95	6,01	5,15		TIO-005
8,66	9,44	9,99	10,3	10,6	10,7	9,29	8,05	6,96	5,96		TIO-006		
33	30	0,19	0,22	0,23	0,25	0,26	0,26	0,23	0,20	0,17	0,15		TIO-00X
		0,50	0,57	0,63	0,66	0,69	0,70	0,61	0,54	0,47	0,40		TIO-000
		1,18	1,36	1,49	1,58	1,63	1,67	1,46	1,27	1,11	0,95		TIO-001
		1,93	2,23	2,43	2,57	2,67	2,73	2,38	2,08	1,81	1,56		TIO-002
		3,12	3,59	3,92	4,14	4,30	4,40	3,84	3,35	2,92	2,51		TIO-003
		5,18	5,96	6,50	6,88	7,14	7,30	6,38	5,56	4,84	4,16		TIO-004
		6,30	7,25	7,91	8,37	8,69	8,89	7,76	6,77	5,89	5,07		TIO-005
7,30	8,40	9,16	9,70	10,0	10,2	8,99	7,84	6,82	5,87		TIO-006		
28	25	0,14	0,18	0,21	0,23	0,24	0,25	0,22	0,19	0,17	0,15		TIO-00X
		0,36	0,48	0,55	0,60	0,64	0,66	0,59	0,51	0,45	0,39		TIO-000
		0,86	1,13	1,31	1,43	1,52	1,57	1,39	1,22	1,07	0,93		TIO-001
		1,40	1,85	2,14	2,34	2,47	2,57	2,27	1,99	1,75	1,51		TIO-002
		2,26	2,98	3,44	3,77	3,99	4,14	3,66	3,22	2,82	2,44		TIO-003
		3,75	4,94	5,72	6,25	6,62	6,88	6,07	5,34	4,68	4,05		TIO-004
		4,56	6,01	6,96	7,61	8,06	8,37	7,39	6,50	5,69	4,92		TIO-005
5,28	6,97	8,06	8,81	9,34	9,69	8,56	7,53	6,59	5,70		TIO-006		
23	20	0,12	0,17	0,20	0,22	0,23	0,20	0,18	0,16	0,14			TIO-00X
		0,33	0,45	0,52	0,57	0,61	0,65	0,49	0,43	0,37			TIO-000
		0,79	1,07	1,24	1,36	1,45	1,50	1,30	1,15	1,02	0,89		TIO-001
		1,29	1,74	2,03	2,22	2,36	2,46	2,12	1,88	1,66	1,45		TIO-002
		2,07	2,80	3,27	3,59	3,81	3,91	3,41	3,03	2,68	2,34		TIO-003
		3,44	4,65	5,43	5,95	6,32	6,66	5,66	5,04	4,45	3,88		TIO-004
		4,19	5,66	6,60	7,25	7,69	7,99	6,89	6,13	5,42	4,72		TIO-005
4,85	6,56	7,65	8,39	8,91	9,28	7,98	7,10	6,27	5,47		TIO-006		

The evaporating / condensing temperatures are saturation temperatures (dew / bubble points).
For this refrigerant the TI..-M... must be readjusted (see page 3).

Correction factors

Liquid temperature entering valve °C	R 134a															
	Correction factor K_t															
	Evaporating temperature °C															
	+30	+25	+20	+15	+10	+5	0	-5	-10	-15	-20	-25	-30			
+ 60	1,22	1,25	1,27	1,30	1,33	1,36	1,40	1,44	1,48	1,75	2,08	2,46	2,94			
+ 55	1,14	1,16	1,18	1,21	1,23	1,26	1,29	1,33	1,36	1,60	1,90	2,25	2,68			
+ 50	1,07	1,08	1,10	1,13	1,15	1,17	1,20	1,23	1,26	1,48	1,76	2,07	2,46			
+ 45	1,00	1,02	1,04	1,06	1,08	1,10	1,12	1,15	1,17	1,38	1,63	1,92	2,28			
+ 40	0,93	0,96	0,98	0,99	1,01	1,03	1,05	1,08	1,10	1,29	1,52	1,79	2,12			
+ 35	0,90	0,91	0,92	0,94	0,96	0,97	0,99	1,01	1,03	1,21	1,43	1,68	1,99			
+ 30	0,85	0,86	0,88	0,89	0,91	0,92	0,94	0,96	0,98	1,14	1,35	1,58	1,87			
+ 25		0,82	0,83	0,85	0,86	0,87	0,89	0,91	0,92	1,08	1,27	1,49	1,76			
+ 20			0,80	0,81	0,82	0,83	0,85	0,89	0,88	1,02	1,21	1,41	1,67			
+ 15				0,77	0,78	0,79	0,81	0,82	0,84	0,97	1,15	1,34	1,58			
+ 10					0,75	0,76	0,77	0,78	0,80	0,93	1,09	1,28	1,51			
+ 5						0,73	0,74	0,75	0,76	0,89	1,04	1,22	1,44			
0							0,71	0,72	0,73	0,85	1,00	1,17	1,37			
- 5								0,69	0,70	0,82	0,96	1,12	1,31			
- 10									0,68	0,79	0,92	1,07	1,26			
Correction factor $K_{\Delta p}$																
Δp (bar)	0,5	1,0	1,5	2	2,5	3	3,5	4	4,5	5	5,5	6	6,5	7	7,5	8
$K_{\Delta p}$	3,50	2,48	2,02	1,75	1,57	1,43	1,32	1,24	1,17	1,11	1,06	1,01	0,97	0,94	0,90	0,88
Δp (bar)	8,5	9,0	9,5	10	10,5	11	11,5	12	13	14	15	16	17	18	19	20
$K_{\Delta p}$	0,85	0,83	0,80	0,78	0,76	0,75	0,73	0,72	0,69	0,66	0,64	0,62	0,60	0,58	0,57	0,55

Liquid temperature entering valve °C	R 22															
	Correction factor K_t															
	Evaporating temperature °C															
	+30	+25	+20	+15	+10	+5	0	-5	-10	-15	-20	-25	-30	-35	-40	-45
+ 60	1,22	1,23	1,24	1,25	1,26	1,28	1,30	1,31	1,38	1,58	1,84	2,16	2,56	3,04	3,55	4,23
+ 55	1,14	1,15	1,16	1,17	1,19	1,20	1,22	1,23	1,29	1,42	1,72	2,02	2,39	2,83	3,30	3,94
+ 50	1,08	1,09	1,10	1,11	1,12	1,13	1,15	1,16	1,21	1,39	1,62	1,89	2,24	2,66	3,10	3,68
+ 45	1,02	1,03	1,04	1,05	1,06	1,07	1,08	1,10	1,15	1,31	1,52	1,79	2,11	2,50	2,91	3,46
+ 40	0,97	0,98	0,99	1,00	1,01	1,02	1,03	1,04	1,09	1,24	1,45	1,69	2,00	2,37	2,75	3,27
+ 35	0,92	0,93	0,94	0,95	0,96	0,97	0,98	0,99	1,03	1,18	1,37	1,61	1,89	2,24	2,60	3,09
+ 30	0,88	0,89	0,90	0,91	0,92	0,93	0,94	0,95	0,99	1,13	1,31	1,55	1,83	2,13	2,47	2,93
+ 25		0,85	0,86	0,87	0,88	0,89	0,89	0,90	0,94	1,08	1,25	1,46	1,72	2,03	2,36	2,80
+ 20			0,83	0,83	0,84	0,85	0,86	0,87	0,90	1,03	1,19	1,40	1,64	1,94	2,25	2,66
+ 15				0,80	0,81	0,81	0,82	0,83	0,87	0,99	1,14	1,34	1,57	1,86	2,15	2,55
+ 10					0,78	0,78	0,79	0,80	0,83	0,95	1,10	1,28	1,51	1,78	2,06	2,44
+ 5						0,75	0,76	0,77	0,80	0,91	1,06	1,23	1,45	1,71	1,98	2,34
0							0,73	0,74	0,77	0,88	1,02	1,19	1,39	1,65	1,90	2,25
- 5								0,71	0,74	0,85	0,98	1,14	1,34	1,58	1,83	2,17
- 10									0,72	0,82	0,95	1,10	1,30	1,53	1,77	2,09
Correction factor $K_{\Delta p}$																
Δp (bar)	0,5	1	1,5	2	2,5	3	3,5	4	4,5	5	5,5	6	6,5	7	8	9
$K_{\Delta p}$	4,25	3,00	2,46	2,13	1,90	1,74	1,61	1,50	1,42	1,35	1,28	1,23	1,18	1,14	1,06	1,00
Δp (bar)	10	11	12	13	14	15	16	17	18	19	20	21	22	23	24	25
$K_{\Delta p}$	0,95	0,91	0,87	0,83	0,80	0,78	0,75	0,73	0,71	0,69	0,67	0,66	0,64	0,63	0,61	0,60

D A T A S H E E T

Liquid temperature entering valve °C	R 404A															
	Correction factor K_t															
	Evaporating temperature °C															
	+30	+25	+20	+15	+10	+5	0	-5	-10	-15	-20	-25	-30	-35	-40	-45
+60	1,56	1,59	1,64	1,69	1,74	1,81	1,88	1,96	2,06	2,43	2,95	3,56	4,37	5,38	6,71	8,47
+55	1,32	1,35	1,38	1,42	1,46	1,50	1,55	1,61	1,68	1,96	2,36	2,83	3,43	4,16	5,12	6,34
+50	1,16	1,18	1,20	1,23	1,26	1,30	1,34	1,38	1,43	1,67	1,99	2,37	2,85	3,43	4,18	5,14
+45	1,04	1,05	1,07	1,10	1,12	1,15	1,18	1,22	1,26	1,46	1,74	2,05	2,46	2,95	3,57	4,35
+40	0,94	0,96	0,97	0,99	1,02	1,04	1,07	1,09	1,13	1,30	1,55	1,82	2,17	2,59	3,13	3,80
+35	0,87	0,88	0,90	0,91	0,93	0,95	0,97	1,00	1,02	1,18	1,40	1,64	1,96	2,33	2,80	3,38
+30	0,81	0,82	0,83	0,84	0,86	0,88	0,90	0,92	0,94	1,08	1,28	1,50	1,78	2,11	2,53	3,05
+25		0,76	0,77	0,79	0,80	0,82	0,83	0,85	0,87	1,00	1,18	1,39	1,64	1,94	2,32	2,79
+20			0,73	0,74	0,75	0,77	0,78	0,80	0,81	0,94	1,10	1,29	1,52	1,80	2,15	2,58
+15				0,70	0,71	0,72	0,73	0,75	0,76	0,88	1,03	1,21	1,42	1,68	2,00	2,40
+10					0,67	0,68	0,69	0,71	0,72	0,83	0,97	1,13	1,34	1,58	1,88	2,25
+5						0,65	0,66	0,67	0,68	0,78	0,92	1,07	1,26	1,49	1,77	2,11
0							0,63	0,64	0,65	0,75	0,88	1,02	1,20	1,41	1,67	2,00
-5								0,61	0,62	0,71	0,83	0,97	1,14	1,34	1,59	1,90
-10									0,60	0,68	0,80	0,93	1,09	1,28	1,52	1,81
Correction factor $K_{\Delta p}$																
Δp (bar)	0,5	1	1,5	2	2,5	3	3,5	4	4,5	5	5,5	6	6,5	7	8	9
$K_{\Delta p}$	4,55	3,21	2,62	2,27	2,03	1,86	1,72	1,61	1,52	1,44	1,37	1,31	1,26	1,21	1,14	1,07
Δp (bar)	10	11	12	13	14	15	16	17	18	19	20	21	22	23	24	25
$K_{\Delta p}$	1,02	0,97	0,93	0,89	0,86	0,83	0,8	0,78	0,76	0,74	0,72	0,7	0,69	0,67	0,66	0,64

Liquid temperature entering valve °C	R 407C															
	Correction factor K_t															
	Evaporating temperature °C															
	+30	+25	+20	+15	+10	+5	0	-5	-10	-15	-20	-25				
+55	1,20	1,21	1,23	1,26	1,28	1,31	1,34	1,37	1,40	1,63	1,98	2,42				
+50	1,10	1,11	1,13	1,15	1,17	1,19	1,22	1,24	1,27	1,48	1,79	2,18				
+45	1,02	1,03	1,05	1,06	1,08	1,10	1,12	1,14	1,17	1,35	1,64	2,00				
+40	0,95	0,96	0,98	0,99	1,01	1,02	1,04	1,06	1,08	1,25	1,52	1,84				
+35	0,89	0,90	0,92	0,93	0,94	0,96	0,98	0,99	1,01	1,17	1,41	1,71				
+30	0,85	0,85	0,87	0,88	0,89	0,90	0,92	0,93	0,95	1,10	1,32	1,60				
+25		0,81	0,82	0,83	0,84	0,85	0,87	0,88	0,90	1,03	1,25	1,51				
+20			0,78	0,79	0,80	0,81	0,82	0,84	0,85	0,98	1,18	1,43				
+15				0,75	0,76	0,77	0,78	0,80	0,81	0,93	1,12	1,35				
+10					0,73	0,74	0,75	0,76	0,77	0,89	1,07	1,29				
+5						0,71	0,72	0,73	0,74	0,85	1,02	1,23				
0							0,69	0,70	0,71	0,81	0,98	1,18				
-5								0,67	0,68	0,78	0,94	1,13				
-10									0,65	0,75	0,90	1,08				
Correction factor $K_{\Delta p}$																
Δp (bar)	0,5	1	1,5	2	2,5	3	3,5	4	4,5	5	5,5	6	6,5	7	8	9
$K_{\Delta p}$	4,78	3,33	2,72	2,36	2,11	1,92	1,78	1,67	1,57	1,49	1,42	1,36	1,31	1,26	1,18	4,78
Δp (bar)	10	11	12	13	14	15	16	17	18	19	20	21	22	23	24	25
$K_{\Delta p}$	1,05	1,01	0,96	0,92	0,89	0,86	0,83	0,81	0,79	0,76	0,75	0,73	0,71	0,7	0,68	1,05

Liquid temperature entering valve °C	R 507															
	Correction factor K_t															
	Evaporating temperature °C															
	+30	+25	+20	+ 15	+10	+5	0	-5	-10	-15	-20	-25	-30	-35	-40	-45
+ 60	1,54	1,57	1,61	1,65	1,71	1,76	1,83	1,90	1,98	2,36	2,84	3,44	4,23	5,25	6,61	8,45
+ 55	1,30	1,33	1,36	1,39	1,43	1,47	1,52	1,57	1,62	1,92	2,29	2,75	3,35	4,11	5,11	6,44
+ 50	1,15	1,17	1,19	1,22	1,24	1,28	1,31	1,35	1,40	1,64	1,95	2,33	2,81	3,43	4,23	5,29
+ 45	1,03	1,05	1,07	1,09	1,11	1,14	1,17	1,20	1,23	1,45	1,71	2,04	2,45	2,97	3,64	4,53
+ 40	0,94	0,96	0,97	0,99	1,01	1,03	1,06	1,08	1,11	1,30	1,53	1,82	2,18	2,63	3,22	3,98
+ 35	0,87	0,88	0,90	0,91	0,93	0,95	0,97	0,99	1,01	1,18	1,39	1,65	1,97	2,37	2,89	3,56
+ 30	0,81	0,82	0,83	0,85	0,86	0,88	0,89	0,91	0,93	1,09	1,28	1,51	1,80	2,17	2,63	3,23
+ 25		0,77	0,78	0,79	0,80	0,82	0,83	0,85	0,87	1,01	1,18	1,40	1,66	1,99	2,42	2,97
+ 20			0,73	0,74	0,75	0,77	0,78	0,79	0,81	0,94	1,10	1,30	1,54	1,85	2,24	2,74
+ 15				0,70	0,71	0,72	0,73	0,75	0,76	0,88	1,03	1,21	1,44	1,73	2,09	2,55
+ 10					0,67	0,68	0,69	0,70	0,72	0,83	0,97	1,14	1,35	1,62	1,95	2,38
+ 5						0,64	0,65	0,67	0,68	0,78	0,92	1,07	1,27	1,52	1,83	2,23
0							0,62	0,63	0,64	0,74	0,87	1,02	1,20	1,43	1,73	2,10
- 5								0,60	0,61	0,70	0,82	0,96	1,14	1,35	1,63	1,98
- 10									0,58	0,67	0,78	0,91	1,08	1,28	1,54	1,87
Correction factor $K_{\Delta p}$																
Δp (bar)	0,5	1	1,5	2	2,5	3	3,5	4	4,5	5	5,5	6	6,5	7	8	9
$K_{\Delta p}$	4,63	3,27	2,67	2,31	2,07	1,89	1,75	1,64	1,54	1,46	1,40	1,34	1,28	1,24	1,16	1,09
Δp (bar)	10	11	12	13	14	15	16	17	18	19	20	21	22	23	24	25
$K_{\Delta p}$	1,03	0,99	0,94	0,91	0,87	0,85	0,82	0,79	0,77	0,75	0,73	0,71	0,70	0,68	0,67	0,65

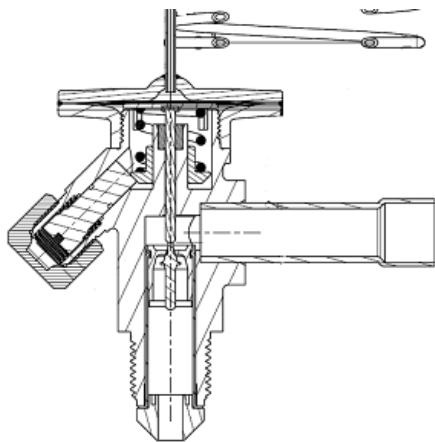
Liquid temperature entering valve °C	R 410A															
	Correction factor K_t															
	Evaporating temperature °C															
			+20	+ 15	+10	+5	0	-5	-10	-15	-20	-25	-30	-35	-40	-45
+ 65			1,75	1,76	1,78	1,8	1,83	1,86	1,89	2,18	2,55	3,05	3,69	4,49	5,46	6,62
+ 60			1,49	1,5	1,51	1,53	1,54	1,57	1,59	1,83	2,14	2,55	3,08	3,73	4,52	5,45
+ 55			1,31	1,32	1,33	1,35	1,36	1,38	1,4	1,61	1,87	2,23	2,68	3,25	3,92	4,72
+ 50			1,19	1,2	1,2	1,21	1,23	1,24	1,26	1,44	1,68	2	2,4	2,9	3,49	4,2
+ 45			1,09	1,09	1,1	1,11	1,12	1,13	1,15	1,32	1,53	1,82	2,18	2,63	3,17	3,8
+ 40			1,01	1,01	1,02	1,03	1,04	1,05	1,06	1,21	1,41	1,67	2,01	2,41	2,9	3,48
+ 35			0,94	0,94	0,95	0,96	0,97	0,98	0,99	1,13	1,31	1,55	1,86	2,24	2,69	3,21
+ 30			0,88	0,89	0,89	0,9	0,91	0,91	0,92	1,06	1,22	1,45	1,74	2,09	2,5	2,99
+ 25			0,83	0,84	0,84	0,85	0,85	0,86	0,87	0,99	1,15	1,36	1,63	1,96	2,35	2,8
+ 20				0,79	0,8	0,8	0,81	0,81	0,82	0,94	1,09	1,29	1,54	1,84	2,21	2,64
Correction factor $K_{\Delta p}$																
Δp (bar)	0,5	1	1,5	2	2,5	3	3,5	4	4,5	5	5,5	6	6,5	7	8	9
$K_{\Delta p}$	5,29	3,74	3,05	2,65	2,37	2,16	2,00	1,87	1,76	1,67	1,60	1,53	1,47	1,41	1,32	1,25
Δp (bar)	10	11	12	13	14	15	16	17	18	19	20	21	22	23	24	25
$K_{\Delta p}$	1,18	1,13	1,08	1,04	1,00	0,97	0,94	0,91	0,88	0,86	0,84	0,82	0,80	0,78	2,65	0,76

Construction

The valve body is made from forged brass with connections in angle configuration. The interchangeable orifice assembly can be replaced through the inlet connection. A steel rod transfers the diaphragm movement to a steel metering device (pin) inside the orifice assembly. When the charge pressure increases, the diaphragm will be deflected downward and this motion will be transferred by the rod to the pin. The pin will then lift from the seat and the liquid can pass through the orifice.

A spring opposes the force underneath the diaphragm and its tension can be adjusted by the side stem. The static superheat can be adjusted by rotation of the side stem. Static superheat increases by turning the side stem clockwise and decreases by turning the side stem counter clockwise.

Cut away of valve and orifice assembly



Flare and brazing connections

TI(E) is the version with flare connections. The valve bodies regardless of capacity and charges have the same size of flare connection. The connections on the valve body are equipped with wrench flats for easy fastening or loosening the nuts from the valve body.

TILE and **TIS(E)** are versions with brazing connections (outlet and external equaliser). The brazing adapters are available in different sizes for the inlet connection in order to have the flexibility of orifice assembly replacement. Brazing adapters allow for optimum tightness to the liquid line and can be ordered separately (see accessories on page 4).

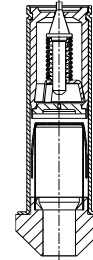
TIS(E) with copper tube fittings needs wet ragging during brazing whereas **TILE** with stainless steel fittings does not require it.

Orifice assembly

Eight interchangeable orifice assemblies provide a wide range of capacity. The orifice assembly as a cartridge contains strainer, steel metering device (pin), spring, bracket and housing. The strainer can be cleaned or exchanged.

A spring holds the metering device (pin) firmly to the orifice seat. This ensures the minimum seat leakage through the valve. For positive shut off, the installation of a solenoid valve is required.

Cut away of orifice assembly



The rigid design of the orifice assembly and its internal components makes sure that the pin and orifice will withstand all types of critical operations such as liquid hammering through liquid line due to large subcooling or activation of solenoid valve, cavitation, sudden variation of pressure and temperature as well as resistant to contaminants.

Description of bulb charges

The application ranges of Thermo[®] expansion valves are heavily influenced by the selected charge.

Liquid charges

The behaviour of Thermo[®]-Expansion Valves with liquid charges is exclusively determined by temperature changes at the bulb and not subject to any cross-ambient interference. They feature a fast response time and thus react quickly in the control circuit. Liquid charges **cannot incorporate MOP functions**. The maximum bulb temperatures is limited and shall not exceed the values, shown in the following table:

Charge	Maximale Bulb Temperature
MW	100 °C
SW	85 °C
HW/NW	90 °C
ZW	66 °C

Consideration for TXVs with liquid charge in some applications

Application	Recommendation
Hot gas defrost	-Use of cold gas from receiver for defrost -Piping arrangement with hot gas entry into the inlet of the evaporator

Gas charges

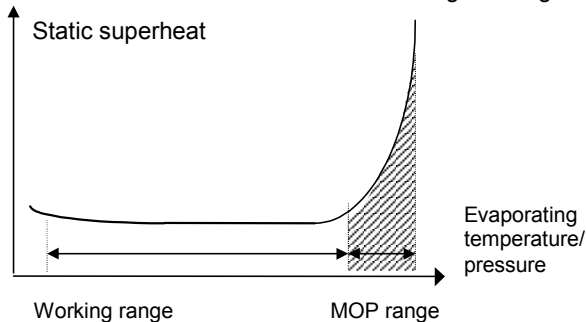
The behaviour of Thermo®-Expansion Valves with gas charges will be determined by the lowest temperature at any part of the expansion valve (power assembly, capillary tube or bulb). If any parts other than the bulb are subject to the lowest temperature, malfunction of the expansion valve may occur (i.e. erratic low pressure or excessive superheat). ALCO gas charges **always feature MOP functions** and include ballasted bulbs. Ballast in the bulb leads to slow opening and fast closure of the valve. Maximum bulb temperature is 175°C.

MOP (Maximum Operating Pressure)

MOP functionality is somewhat similar to the application of a crankcase pressure regulator. Evaporator pressures are limited to a maximum value to protect the compressor from overload conditions.

MOP selection should be within maximum allowed suction pressure rating of the compressor and at approximately 3 K above maximum evaporating temperature.

Performance of TXV with MOP function with gas charge



Valve operates as superheat control in normal working range and operates as pressure regulator within MOP range.

Practical hints:

Superheat adjustments influence the MOP:

- Increase of superheat: decrease of MOP
- Decrease of superheat: increase of MOP

MOP value, gas charge

MOP		Upper limit of evaporating temperature °C		
Code	bar	R134a	R22	R404A/R507
MW55	3.8	+11	-	-
SW75	5.2	-	-	-2
HW100	6.9	-	+13	-

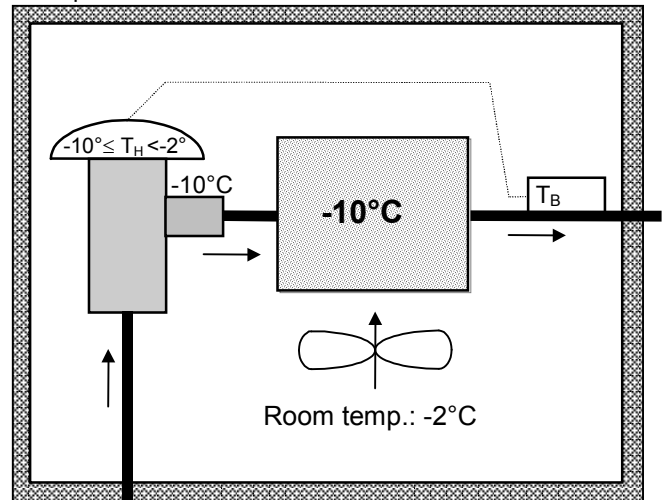
Note: All pressures are gauge pressure

Cross ambient

The cross ambient effect occurs on TXV with a gas charge when the temperature at the bulb is higher than temperature at the valve head. The construction of TXV with interchangeable orifice from liquid inlet connection leads that the warmer liquid enters into the bottom of valve and cold refrigerant leaves the valve near the valve head. Therefore the valve head becomes cold.

The chance of cross ambient effect is very great if the total superheat is/becomes large. In many applications gas charges are not suitable for the valve with interchangeable orifice construction unless the valve head is wrapped by an electric strip heater. The adsorption charge with similar MOP function is another solution.

Example for Coldroom:



if superheat = 7K $T_B = -10 + 7 = -3^\circ\text{C}$

if superheat = 4K $T_B = -10 + 4 = -6^\circ\text{C}$

For proper function always $T_H > T_B$

(T_B = bulb temperature / T_H = Valve head temperature)

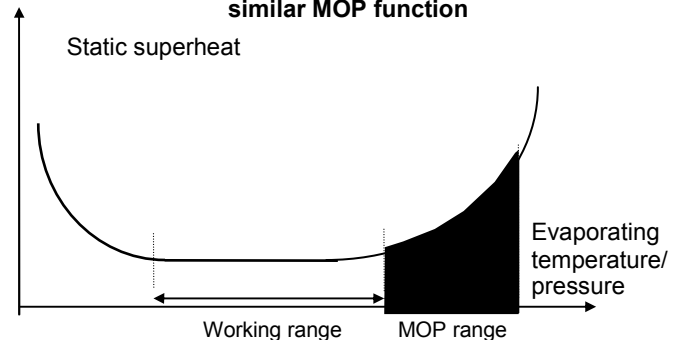
If T_H is to be -4°C , the cross ambient can take place at 7K superheat and not at 4K superheat.

Adsorption charge

Special adsorption charge provides an effect **similar** to MOP function at the upper limit range.

The adsorption charge features slow reaction in opening and closing direction. The maximum bulb temperature is 130°C. The cross ambient effect has no influence on performance of TXV with adsorption charge.

Performance of TXV with adsorption charge similar MOP function



Mop value is defined at 5 to 10 K above maximum evaporating temperature depending on the type of adsorption charge. Since the gradient of the curve is not very sharp like a gas charge therefore the MOP range is larger than a MOP range with a gas charge.

Suction pressures higher than MOP values can occur if the temperature difference between evaporating temperature and entering air/medium temperature to the evaporator becomes larger than approximately 10K. Adsorption charge with similar MOP function is not suitable for application such as a cooling process starting with very high medium temperature. For this type of application, use of gas charge with wrapped TXV head by electric strip heater is recommended.

Superheat

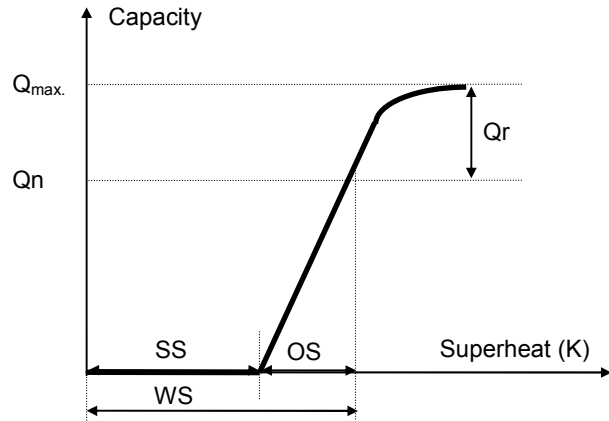
The factory setting of a TI is made with the valve pin just starting to move away from the seat. The superheat increment necessary to get the pin ready to move is called static superheat (SS). An increase of superheat over and beyond the static superheat (factory setting) is necessary for the valve pin to open to its rated capacity. This additional superheat is known as gradient or opening superheat (OS).

The working superheat (WS), which can be measured in the field, is the sum of static superheat and opening superheat.

The opening superheat of TXV varies if the selected valve operates at higher or lower capacities than the rated capacity. It is highly recommended to select the valve according to the rated capacity. Using reserve capacity leads to larger opening superheat and longer pull down time during start-up or after defrost.

Selecting a larger valve than required in a system may lead to smaller opening superheat and/or hunting of TXV.

ALCO Thermo®-Expansion Valves are factory pre-set for optimum superheat settings. This setting should be modified only if absolutely necessary. The readjustment should be at the **lowest** expected evaporating temperature.



$Q_r = 0$ for TIO-00X and TIO-000

$Q_r \approx 15\%$ of Q_n for all other orifices

SS: Static superheat

OS: Opening superheat

WS: Working superheat

Technical data

Maximum working pressure	PS: 45 bar
Burst pressure	225 bar
Medium temperature range	TS: -45 to 75°C
Factory test pressure	PT: 49.5 bar
Directive	RoHS compliant
Seat leakage	$\leq 1\%$ nominal capacity

Compatibility *)	CFC, HCFC, HFC, Mineral, Alkyl benzene and POE lubricants
Connections	Stainless steel ODF, copper ODF or Brass flare
Charges	CFC free
Protection	Salt spray test
Weight	approx. 0.4 kg

*) TI are not released for use with inflammable substances.

Packing

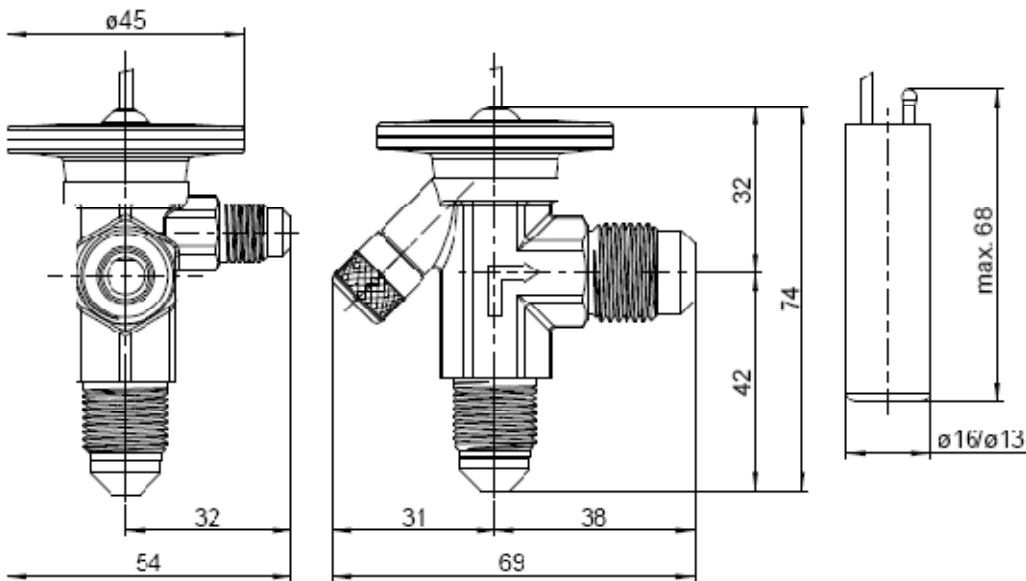
	Valve	Brazing adapter	Orifice assembly
Box quantity	20 (single packaging)	20	20
OEM packing	20 pcs (one carton with dividers)	-	-

Single packaging contains valve body, bulb fastening clamp and installation instruction.

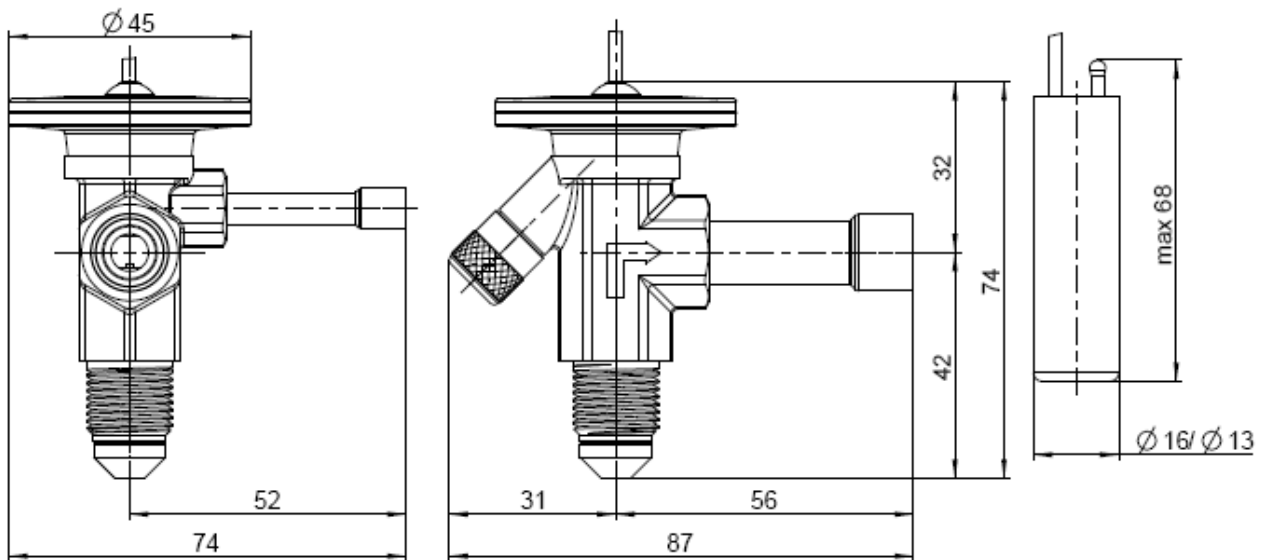
OEM packing contains 20 set of valve bodies, bulb fastening clamps and one piece of installation instruction.

Dimensions

TI(E):



TILE/TIS(E):



Bulb

Charge	Bulb diameter, mm	Capillary tube length, mm
MW / SW / HW / ZW	13	1500
MW55 / SW75 / HW100 / ZW 175	16	1500
SAD / HAD	16	1500



TI Series Thermo[®]-Expansion Valves



ALCO CONTROLS is not to be held responsible for erroneous literature regarding capacities, dimensions, applications, etc. stated herein. Products, specifications and data in this literature are subject to change without notice. The information given herein is based on technical data and tests which ALCO CONTROLS believes to be reliable and which are in compliance with technical knowledge of today. It is intended only

for use by persons having the appropriate technical knowledge and skills, at their own discretion and risk. Our products are designed and adapted for fixed locations. For mobile applications failures may occur. The suitability for this has to be assured from the plant manufacturer which may include making appropriate tests.

This document replaces all earlier versions.

		Phone:	Fax:
Emerson Electric GmbH & Co OHG ALCO CONTROLS Postfach 1251 Heerstraße 111 D-71332 Waiblingen Germany Phone ...49-7151-509-0 Fax ...49-7151-509-200 www.emersonclimate.eu	Benelux	+31 (0)77 324 0 234	+31 (0)77 324 0 235
	Germany, Austria & Switzerland	+49 (0)6109 6059 -0	+49 (0)6109 6059 40
	France, Greece, Maghreb	+33 (0)4 78 66 85 70	+33 (0)4 78 66 85 71
	Italia	+39 02 961 781	+39 02 961 788 888
	Spain & Portugal	+34 93 41 23 752	+34 93 41 24 2
	UK & Ireland	+44 (0) 1635 876 161	+44 (0) 1635 877 111
	Sweden, Denmark, Norway & Finland	+49 (0)2408 929 0	+49 (0)2408 929 528
	Eastern Europe & Turkey	+49 (0)2408 929 0	+49 (0)2408 929 525
	Poland	+48 (0)22 458 9205	+48 (0)22 458 9255
	Russia & Cis	+7 495 981 9811	+7 495 981 9816
	Balkan	+385 (0) 1560 38 75	+385 (0) 1 560 3879
	Romania	+40 364 73 11 72	+40 364 73 12 98
	Ukraine	+38 44 4 92 99 24	+38 44 4 92 99 28